

SERIES

BLS

OVERLY

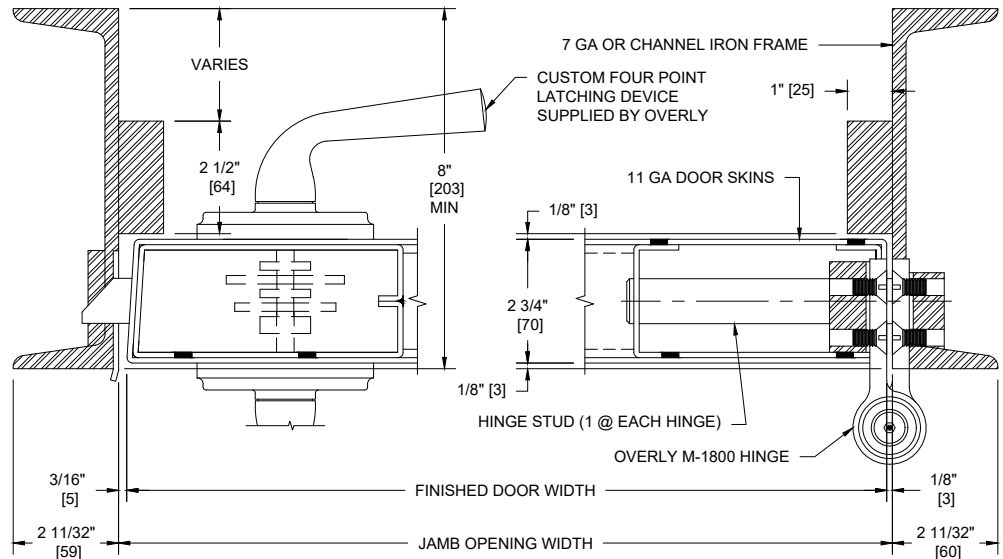
DOOR COMPANY

POST OFFICE BOX 70
 GREENSBURG, PA 15601-0070
 TELEPHONE: 724-834-7300
 FAX: 724-830-2871
 EMAIL: overly@overly.com

MODEL NO. MRB-4S / FOUR POINT / 30.0 PSI UNSEATING STATIC LOAD / BLAST RESISTANT DOOR AND FRAME ASSEMBLY / SINGLE SWING

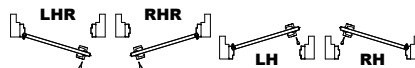
NOTES:

1. A 3'-0" x 7'-0" opening can be designed to withstand up to 30.0 psi total unseating static load. Certain hardware restrictions may apply. Final pressure rating will be determined by our Blast Engineering Department once entire product has been specified. See chart below.
2. All exposed surfaces of door and frame to receive one coat of rust inhibitive prime paint.
3. Door must be equipped with an Overly four point mortise locking device and Overly M-1800 extreme duty hinges.
4. Various weather-stripping options are available.
5. Removable and fixed type transom configurations are available.
6. Various size vision lites.
7. Also available with panic hardware.
8. Also available with 24 VDC electric lock/unlock or electric latch retraction.



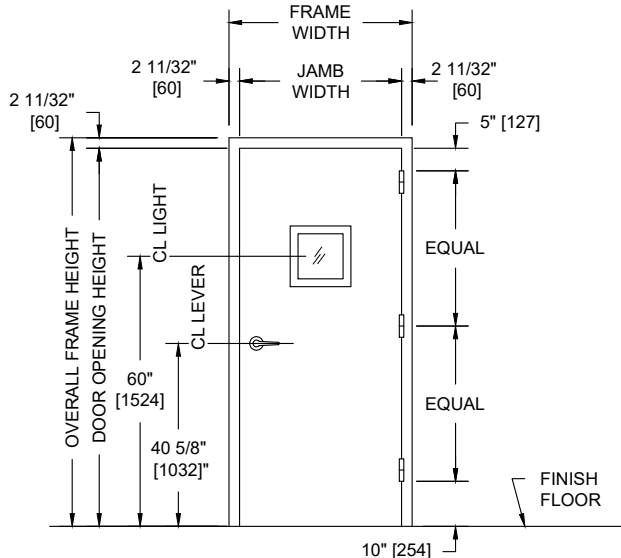
HORIZONTAL SECTION

SECURED AREA (INTERIOR)



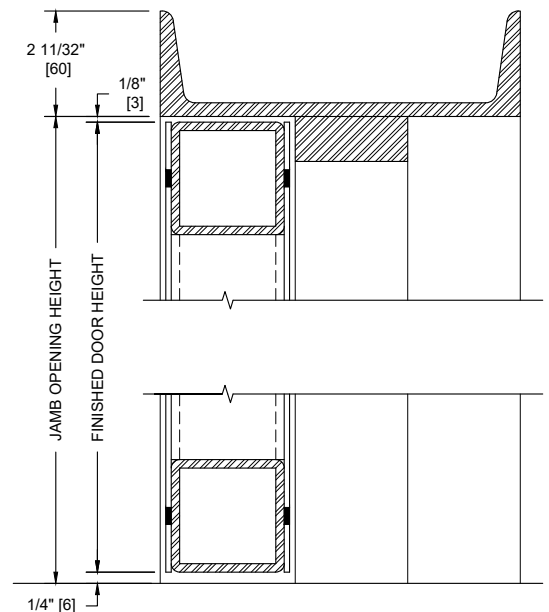
(KEY) SIDE

PUBLIC AREA (EXTERIOR)



PUBLIC SIDE ELEVATION

RIGHT HAND REVERSE BEVEL SHOWN
 SHOWN WITH 10" X 10" VISION LIGHT



VERTICAL SECTION

PRE-ENGINEERED BLAST DOOR SELECTOR CHART

| 3'-0" x 7'-0" | 3'-0" x 8'-0" | 3'-0" x 9'-2" | 4'-0" x 7'-0" | 4'-0" x 8'-0" |
|----------------------|----------------------|----------------------|----------------------|----------------------|
| 30.0 psi [206.8 kPa] | 26.2 psi [180.6 kPa] | 22.9 psi [158.0 kPa] | 22.5 psi [155.1 kPa] | 19.7 psi [135.8 kPa] |

ALL DIMENSIONS
 BOTH IN INCHES
 AND MILLIMETERS