

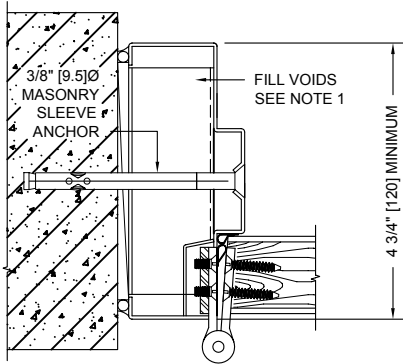
SERIES

SCW

OVERLY DOOR COMPANY

574 WEST OTTERMAN STREET
POST OFFICE BOX 70
GREENSBURG, PA 15601-0070
TELEPHONE: 724-834-7300
FAX: 724-830-2871

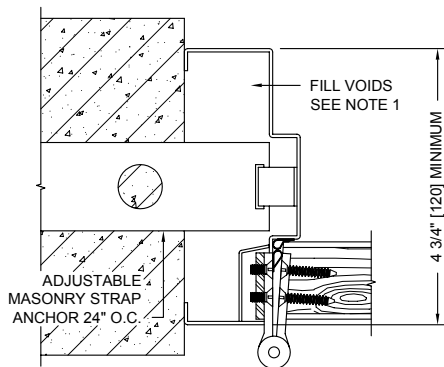
AVAILABLE SOUND CONTROL WALL ANCHORAGE SYSTEMS FOR 1-3/4" THICK WOOD ACOUSTICAL DOOR WITH DOUBLE BUBBLE PERIMETER SEALS



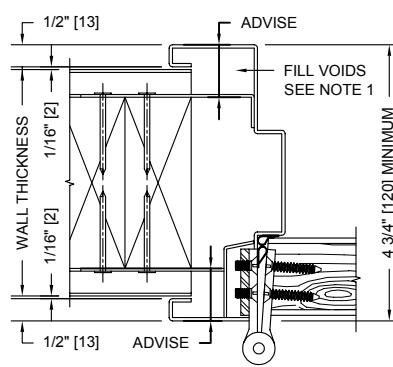
**BOLT IN INSTALLATION
IN EXISTING POURED CONCRETE WALL
OR EXISTING MASONRY WALL**

NOTES:

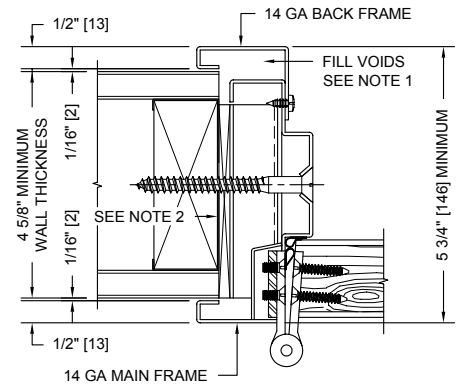
1. Head and jams of frames equipped with masonry anchors must be grouted full in field. Bolt-in type frames must have all voids in head and jams packed with 6 to 12 pound density mineral wool and all voids between wall and frame continuously caulked.
2. For anchorage systems used in all steel or wood stud wall it is recommended a structural tube or reinforced stud is run from and anchored to floor slab and ceiling structure above.



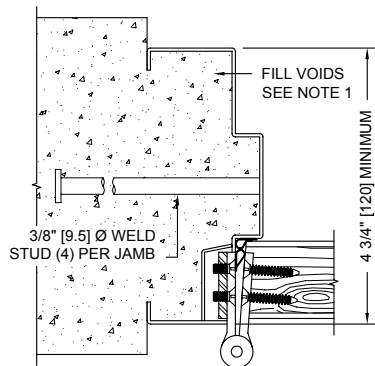
**BUILT-IN INSTALLATION
IN NEW MASONRY WALL**



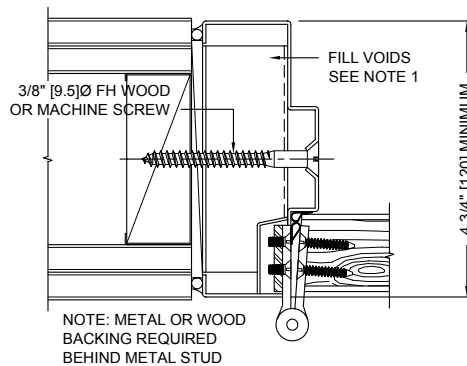
**NAILING CLIP INSTALLATION
IN NEW WOOD STUD WALL**



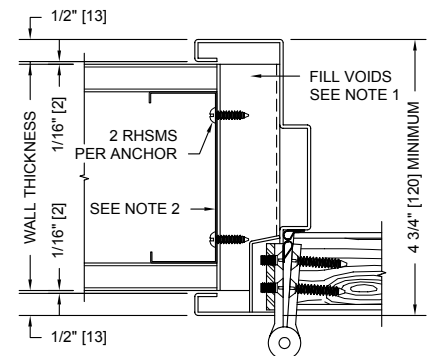
**OPTIONAL SPLIT TYPE FRAME
FOR BOLT IN INSTALLATION IN
EXISTING STUD WALL**



**BUILT IN INSTALLATION
IN NEW POURED CONCRETE WALL**



**BOLT-IN INSTALLATION
IN EXISTING STUD WALL**



**BUILT-IN INSTALLATION
IN NEW STUD WALL**

ALL DIMENSIONS
BOTH IN INCHES
AND MILLIMETERS