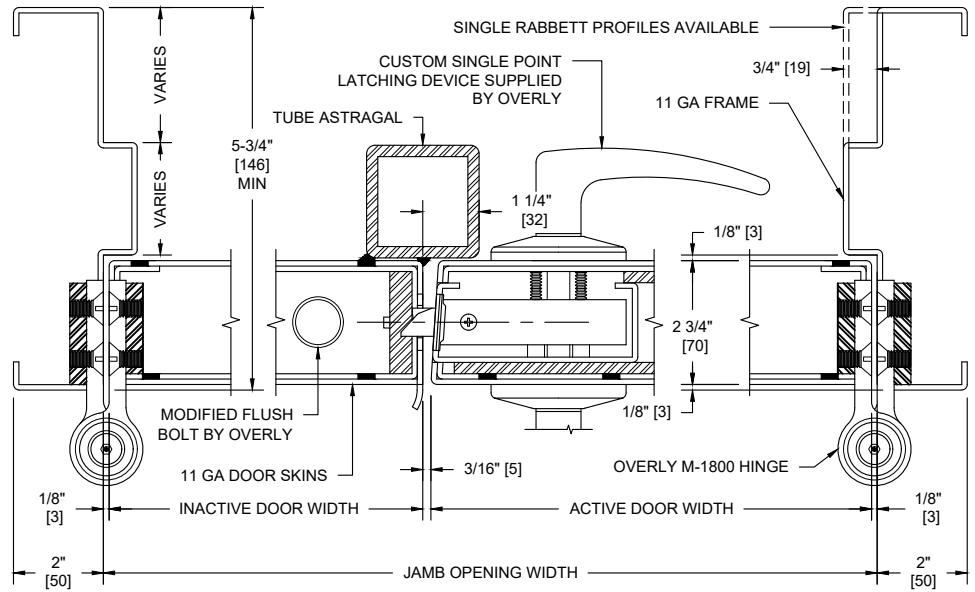


MODEL NO. MRB-1P / SINGLE POINT / 7.0 PSI UNSEATING STATIC LOAD BLAST RESISTANT DOOR AND FRAME ASSEMBLY / PAIR SWING

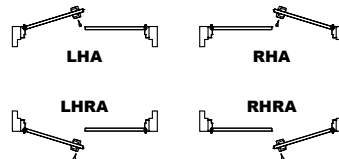
NOTES:

1. A 6'-0" x 7'-0" opening can be designed to withstand up to 7.0 psi total unseating static load and remain operable. Certain hardware restrictions may apply. Final pressure rating will be determined by our Blast Engineering Department once entire product has been specified.
2. All exposed surfaces of doors and frame to receive one coat of rust inhibitive prime paint.
3. Door must be equipped with An Overly single point mortise locking device or a modified manual flushbolts and Overly M-1800 extreme duty hinges.
4. Various weather-stripping options are available.
5. Removable and fixed type transom and mullion configurations are available.
6. Various size vision lites available.
7. Also available with panic hardware.
8. Also available with 24 VDC electric lock/unlock or electric latch retraction.

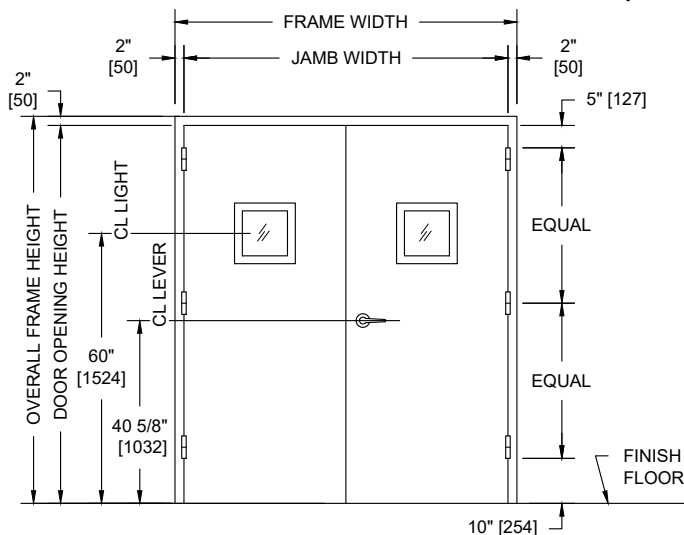


HORIZONTAL SECTION

SECURE AREA (INTERIOR)

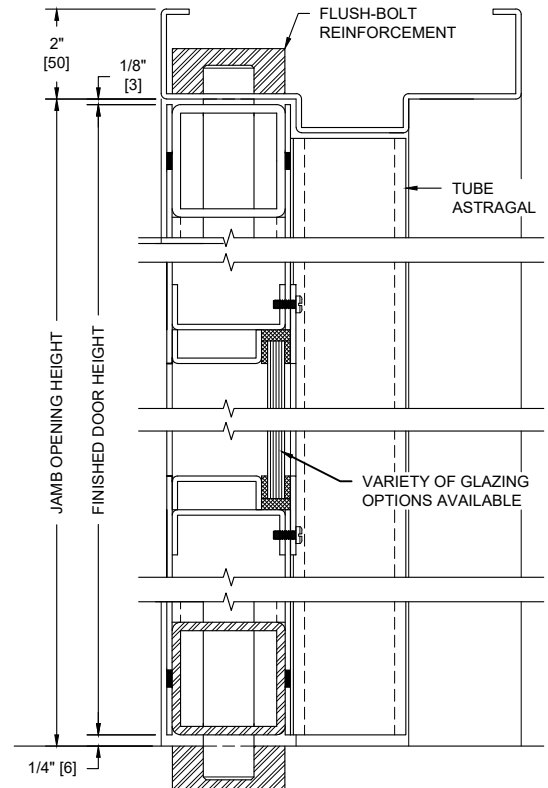


(KEY) SIDE PUBLIC AREA (EXTERIOR)



PUBLIC SIDE ELEVATION

RIGHT HAND REVERSE BEVEL SHOWN
SHOWN WITH 10" X 10" VISION LIGHT



VERTICAL SECTION

ALL DIMENSIONS
BOTH IN INCHES
AND MILLIMETERS