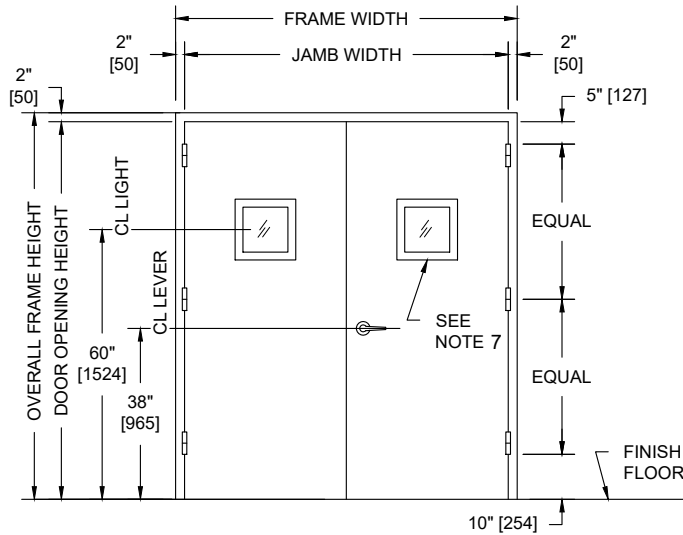


UL752 LEVEL 2, VISION LIGHT, NON-UL FIRE RATED PAIR WITH METAL FRAME DOOR ASSEMBLY

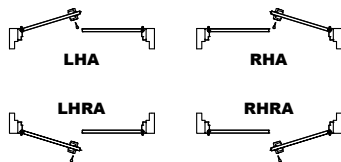


PUBLIC SIDE ELEVATION
RIGHT HAND REVERSE BEVEL SHOWN

NOTES:

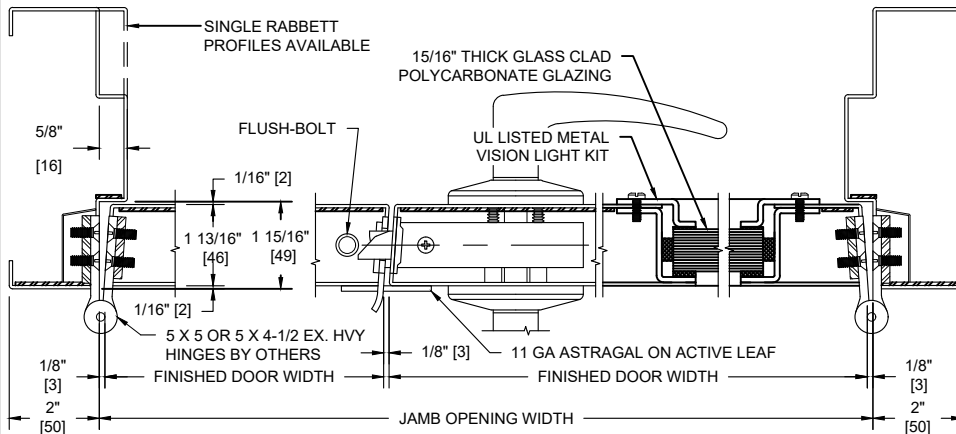
- Both doors, frame, astragal and vision light kits UL listed for UL752, Level 2 bullet resistance.
- Door and Frames can be fabricated from carbon or galvanized steel. All exposed surfaces of frame to receive one coat of rust inhibitive prime paint.
- Maximum door leaf size is 4'-0" x 10'-0" for a 8'-0" x 10'-0" maximum opening size.
- Door weight is 11.6 pounds / sq. foot.
- Doors recommended to be hung on 5" heavy weight or continuous hinges. Locks required to be BHMA Grade 1, 2, or 3. Electrical hardware with raceways available. Consult factory for specifics.
- Pairs of UL 752 bullet resistant doors must be equipped with an overlapping astragal by Overly with same rating as door and frame.
- Doors equipped with UL Level 2, glass clad polycarbonate laminate with metal glazing system.
 - 8" Minimum Stile
 - 6" Minimum Top Rail
 - 12" Minimum Bottom Rail

SECURE AREA (INTERIOR)

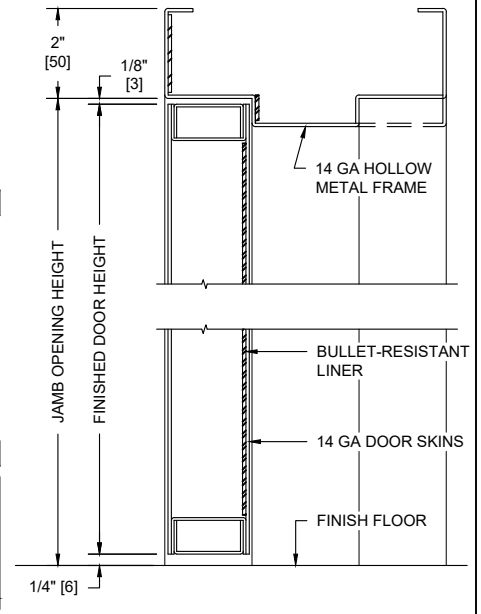


(KEY) SIDE

PUBLIC AREA (EXTERIOR)



HORIZONTAL SECTION



VERTICAL SECTION

UL LEVEL	AMMUNITION	MINIMUM VELOCITY FPS/MP5	NUMBER OF SHOTS
2	.357 MAGNUM JACKETED LEAD SOFT POINT	1250 / 381	3