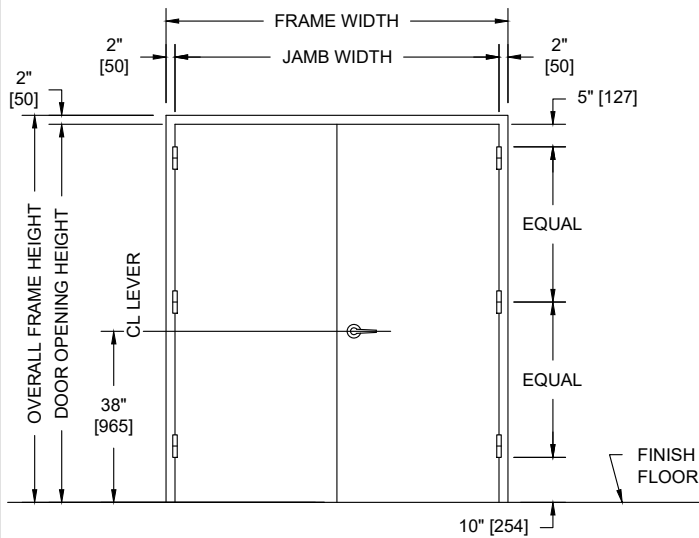
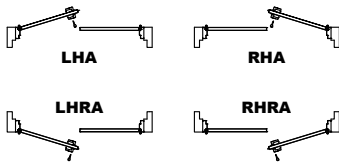


UL752 LEVEL 6, FLUSH, UP TO 3 HOUR FIRE RATED PAIR WITH METAL FRAME AND DOOR ASSEMBLY



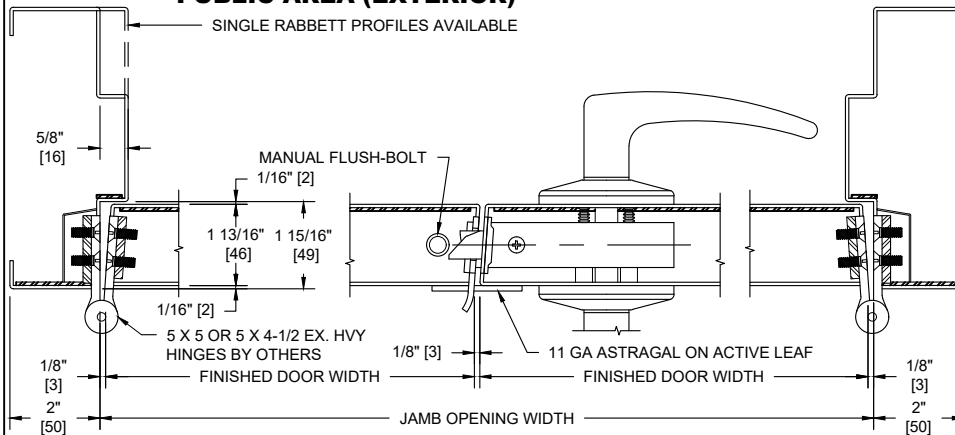
PUBLIC SIDE ELEVATION
RIGHT HAND REVERSE BEVEL SHOWN

SECURE AREA (INTERIOR)

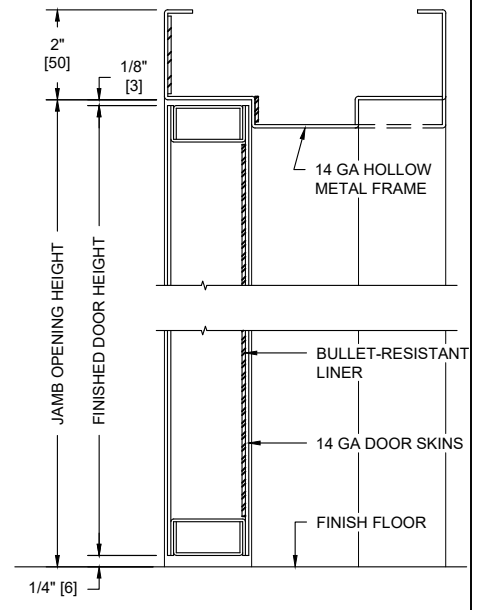


(KEY) SIDE

PUBLIC AREA (EXTERIOR)



HORIZONTAL SECTION



VERTICAL SECTION

NOTES:

- Both doors, frame and astragal UL listed for UL752, Level 6 bullet resistance.
- Door and Frames can be fabricated from carbon or galvanized steel. All exposed surfaces of frame to receive one coat of rust inhibitive prime paint.
- Units can be UL fire rated up to 3 hours in accordance with UL standard 10C.
- Maximum door leaf size is 4'-0" x 10'-0" for a 8'-0" x 10'-0" maximum opening size.
- Door weight is 11.7 pounds / sq. foot.
- Doors recommended to be hung on 5" heavy weight or continuous hinges. Locks required to be BHMA Grade 1, 2, or 3. Electrical hardware with raceways available. Consult factory for specifics.
- Pairs of UL 752 bullet resistant doors must be equipped with an overlapping astragal by Overly with same rating as door and frame.

UL LEVEL	AMMUNITION	MINIMUM VELOCITY FPS/MPG	NUMBER OF SHOTS
6	9mm FULL METAL COPPER JACKET WITH LEAD CORE	1400 / 427	5