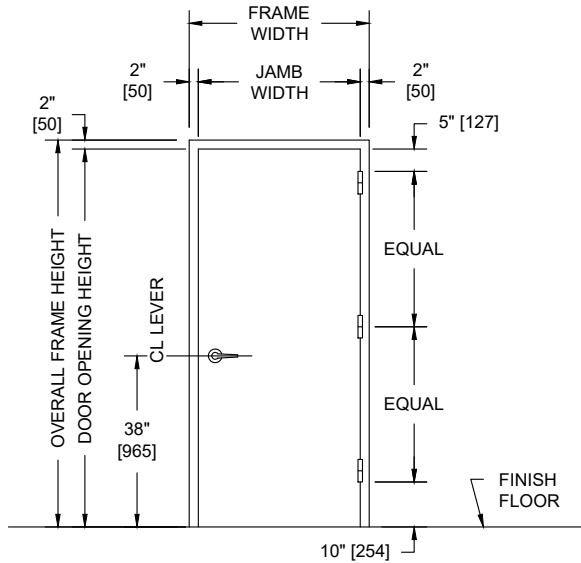


MODEL NO. 439572 / UL FIRE RATED / STC 43 / FLUSH SOUND CONTROL DOOR AND FRAME ASSEMBLY / DOUBLE BUBBLE SEALS

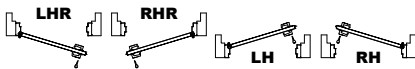


PUBLIC SIDE ELEVATION
RIGHT HAND REVERSE BEVEL SHOWN

NOTES:

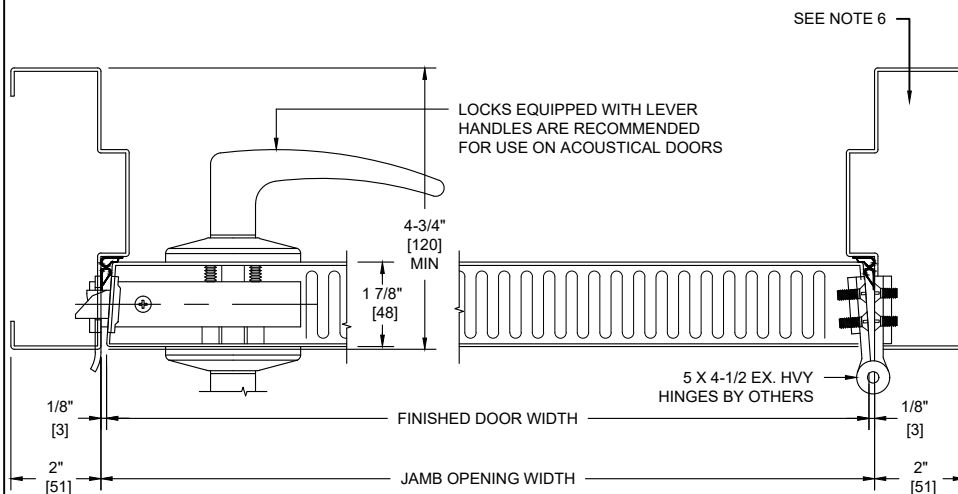
1. All exposed surfaces of door and frame to receive one coat of rust inhibitive prime paint.
2. Door bottom requires flush level sealing surface. Wood, aluminum, or stainless steel threshold recommended. Do not seal against carpet.
3. Frame is equipped with Overly double bubble seals at head and jambs. Door is equipped with an automatic door bottom.
4. Door weight is 6.8 pounds per square foot.
5. Door can be equipped with standard builders hardware, customer to specify. Concealed hardware is not recommended for acoustical doors.
6. Frames equipped with masonry anchors must be grouted full in field. Bolt-in type frames must have all voids in head and jambs packed with 6 to 12 pound density mineral wool and all voids between wall and frame continuously caulked.
7. UL fire labels available in compliance with UL10B and UL10C/UBC7-2. UL labeled units require a closer and three hinges. Consult factory for specifics.
8. Unit tested as single door at Riverbank Acoustical Laboratories. Results are described in Test Report No. TL95-72 with sound transmission results as shown in chart below.
9. Door construction is covered by US Patent No. 5,417,029.

SECURED AREA (INTERIOR)

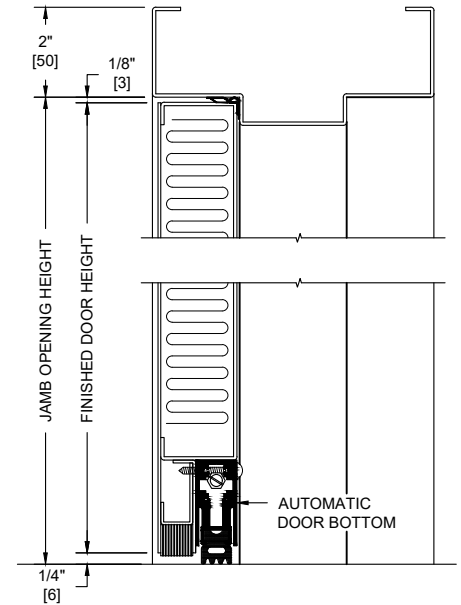


(KEY) SIDE

PUBLIC AREA (EXTERIOR)



HORIZONTAL SECTION



VERTICAL SECTION

SOUND TRANSMISSION LOSS IN dB AT FREQUENCY / HERTZ																	
100	125	160	200	250	315	400	500	630	800	1000	1250	1600	2000	2500	3150	4000	5000
25	29	33	34	33	40	39	39	41	44	46	42	43	46	50	52	53	53

ALL DIMENSIONS BOTH IN INCHES AND MILLIMETERS