

# SERIES

# BLS

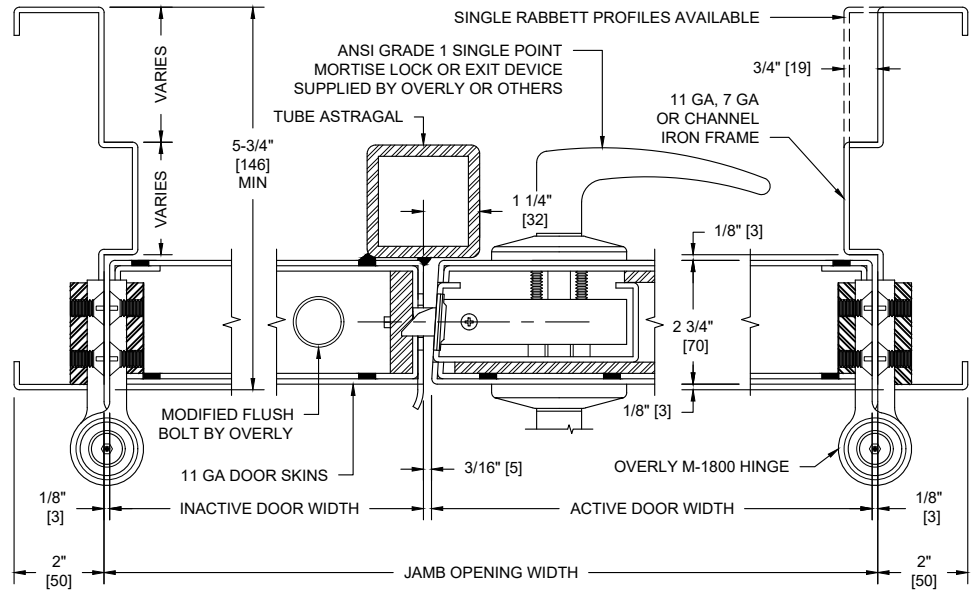
# OVERLY DOOR COMPANY

POST OFFICE BOX 70  
 GREENSBURG, PA 15601-0070  
 TELEPHONE: 724-834-7300  
 FAX: 724-830-2871  
 EMAIL: overly@overly.com

## MODEL NO. MRB-0P / SINGLE POINT / 50.0 PSI SEATING STATIC LOAD BLAST RESISTANT DOOR AND FRAME ASSEMBLY / PAIR SWING

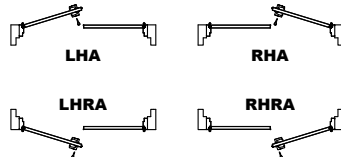
### NOTES:

1. A 6'-0" x 7'-0" opening can be designed to withstand up to 50.0 psi static load in the seating direction only. The rebound resistance is 0%. Certain hardware restrictions may apply. Final pressure rating will be determined by our Blast Engineering Department once entire product has been specified.
2. All exposed surfaces of doors and frame to receive one coat of rust inhibitive prime paint.
3. Door must be equipped with a standard ANSI Grade 1 single point mortise lock or exit device, modified manual flush-bolts or surface bolts and Overly M-1800 extreme duty hinges.
4. Various weather-stripping options are available.
5. Removable and fixed type transom and mullion configurations are available.
6. Various size vision lites available.
7. Also available with panic hardware.
8. Also available with 24 VDC electric lock/unlock or electric latch retraction.

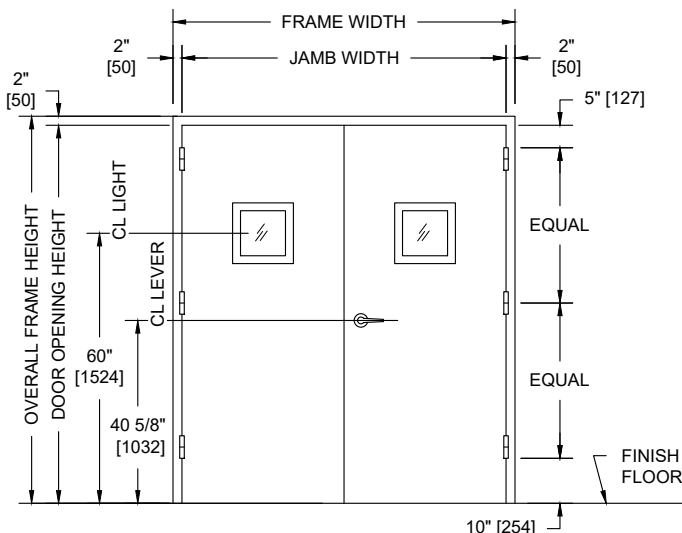


### HORIZONTAL SECTION

### SECURE AREA (INTERIOR)

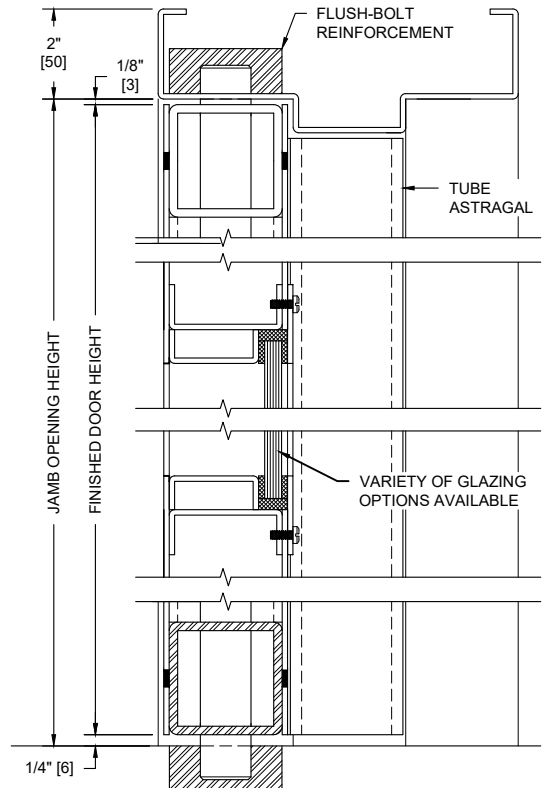


### (KEY) SIDE PUBLIC AREA (EXTERIOR)



### PUBLIC SIDE ELEVATION

RIGHT HAND REVERSE BEVEL SHOWN  
 SHOWN WITH 10" X 10" VISION LIGHT



### VERTICAL SECTION

ALL DIMENSIONS  
 BOTH IN INCHES  
 AND MILLIMETERS