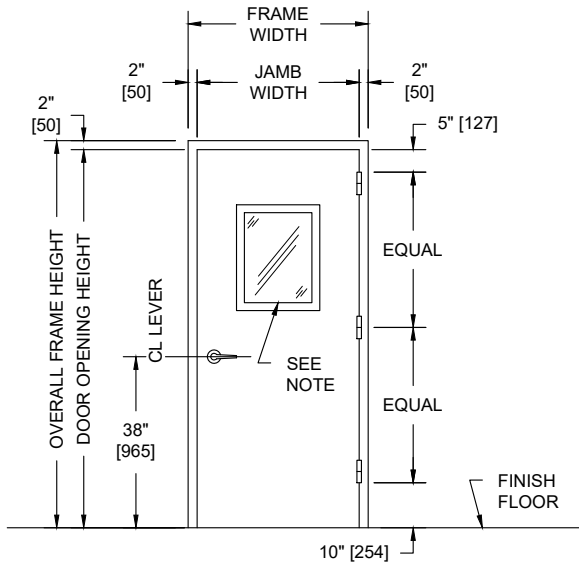


**MODEL NO. 4426113 / UL FIRE RATED / STC 44 / DUAL GLAZED SOUND CONTROL DOOR AND FRAME ASSEMBLY / DOUBLE BUBBLE SEALS**

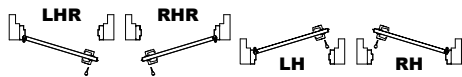


**PUBLIC SIDE ELEVATION**  
RIGHT HAND REVERSE BEVEL SHOWN

**NOTES:**

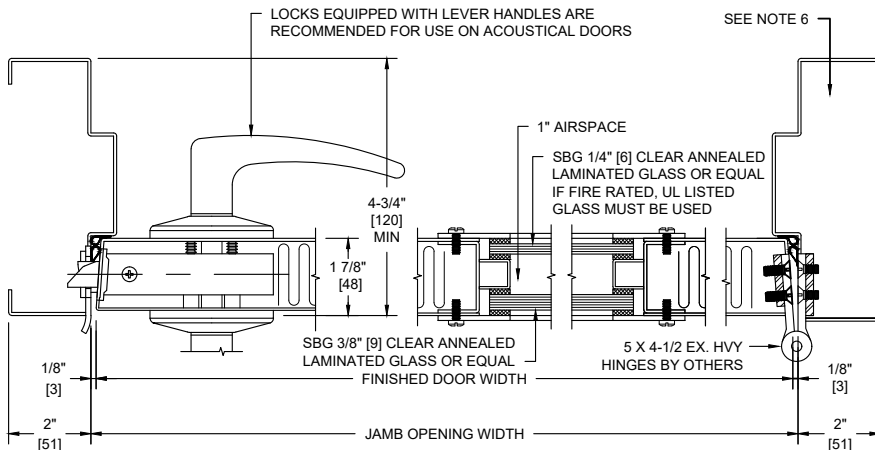
1. All exposed surfaces of door and frame to receive one coat of rust inhibitive prime paint.
2. Door bottom requires flush level sealing surface. Wood, aluminum, or stainless steel threshold recommended. Do not seal against carpet.
3. Frame is equipped with Overly double bubble seals at head and jambs. Door is equipped with an automatic door bottom.
4. Door weight is 12.8 pounds per square foot.
5. Door can be equipped with standard builders hardware, Customer to specify. Concealed hardware is not recommended for acoustical doors.
6. Frames equipped with masonry anchors must be grouted full in field. Bolt-in type frames must have all voids in head and jambs packed with 6 to 12 pound density mineral wool and all voids between wall and frame continuously caulked.
7. UL fire labels available in compliance with UL10C. Consult factory for specifics.
8. Door tested acoustically with 300 square inch vision light. Customer to specify size.
9. Unit tested as single door at Riverbank Acoustical Laboratories. Results are described in Test Report No. TL26-113 with sound transmission results as shown in chart below.

**SECURED AREA (INTERIOR)**

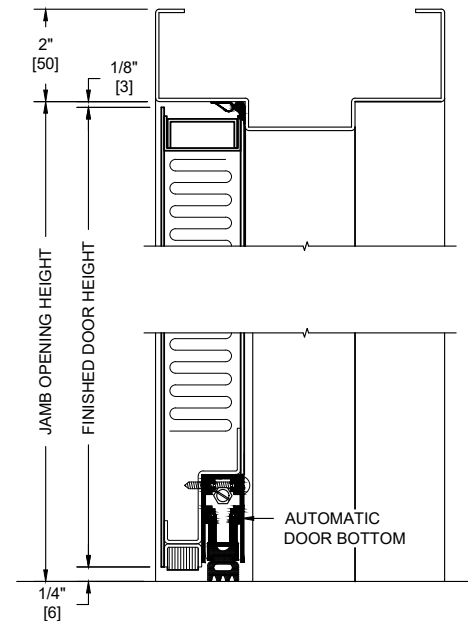


**(KEY) SIDE**

**PUBLIC AREA (EXTERIOR)**



**HORIZONTAL SECTION**



**VERTICAL SECTION**

SOUND TRANSMISSION LOSS IN dB AT FREQUENCY / HERTZ																	
100	125	160	200	250	315	400	500	630	800	1000	1250	1600	2000	2500	3150	4000	5000
28	26	30	32	39	42	41	40	41	43	44	43	44	47	48	49	49	50

ALL DIMENSIONS BOTH IN INCHES AND MILLIMETERS