

# SERIES

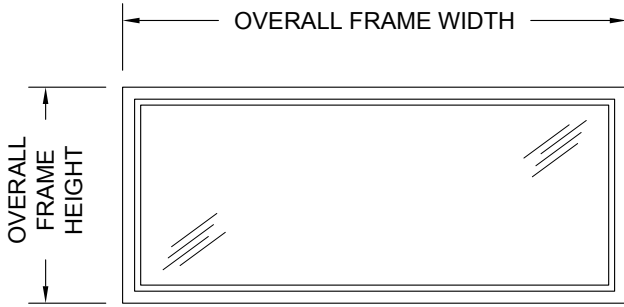
# SC

# OVERLY

DOOR COMPANY

574 WEST OTTERMAN STREET  
 POST OFFICE BOX 70  
 GREENSBURG, PA 15601-0070  
 TELEPHONE: 724-834-7300  
 FAX: 724-830-2871

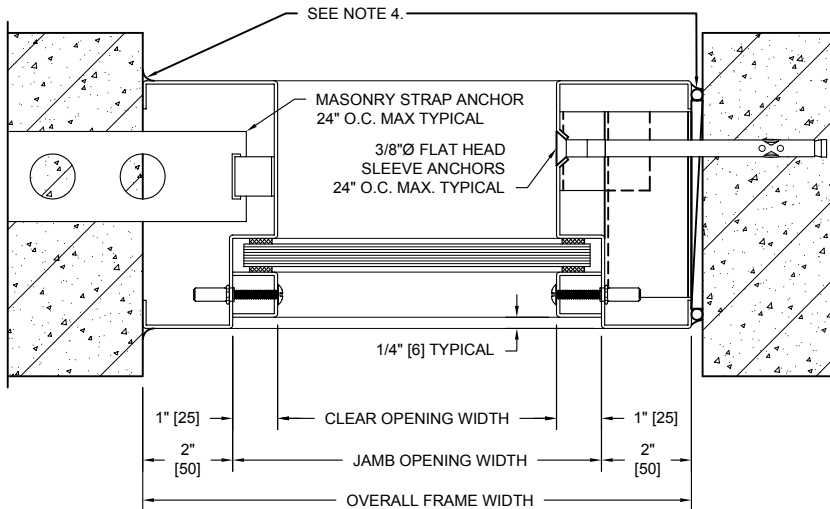
## MODEL NO. 379229 / STC 37 / SINGLE GLAZED / SOUND CONTROL FIXED WINDOW ASSEMBLY / NEOPRENE GLAZING



**ELEVATION**

**NOTES:**

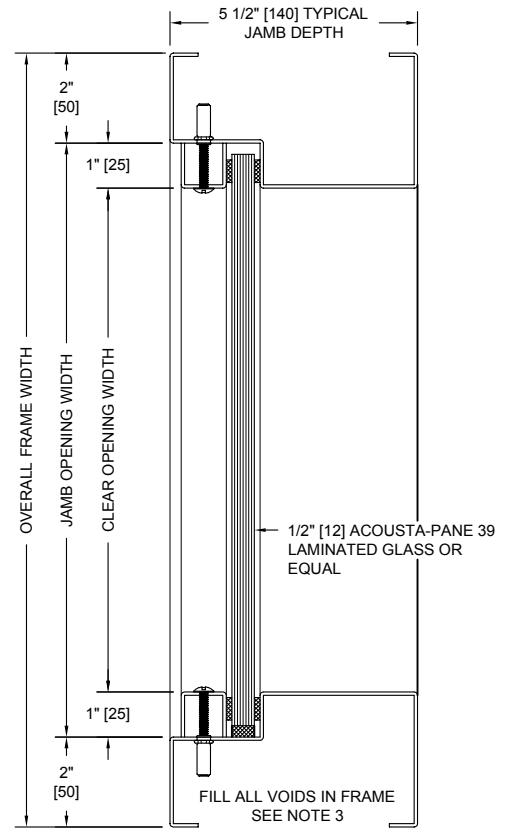
1. All exposed surfaces of frame to receive one coat of rust inhibitive prime paint.
2. Unit weight, including frame, glass, and glazing, is 15.0 pounds per square foot.
3. Frames equipped with masonry anchors must be grouted full in field. Bolt-in type frames must have all voids in head, jambs, and sill packed with 6 to 12 pound density mineral wool.
4. All voids between wall and frame must be continuously caulked.



SHOWING BUILT-IN INSTALLATION IN MASONRY PARTITION

SHOWING BOLT-IN INSTALLATION IN MASONRY PARTITION

**HORIZONTAL SECTION**



**VERTICAL SECTION**

SOUND TRANSMISSION LOSS IN dB AT FREQUENCY / HERTZ																	
100	125	160	200	250	315	400	500	630	800	1000	1250	1600	2000	2500	3150	4000	5000
35	30	29	29	32	31	33	34	36	37	37	33	36	40	43	46	49	51

ALL DIMENSIONS BOTH IN INCHES AND MILLIMETERS