

SERIES

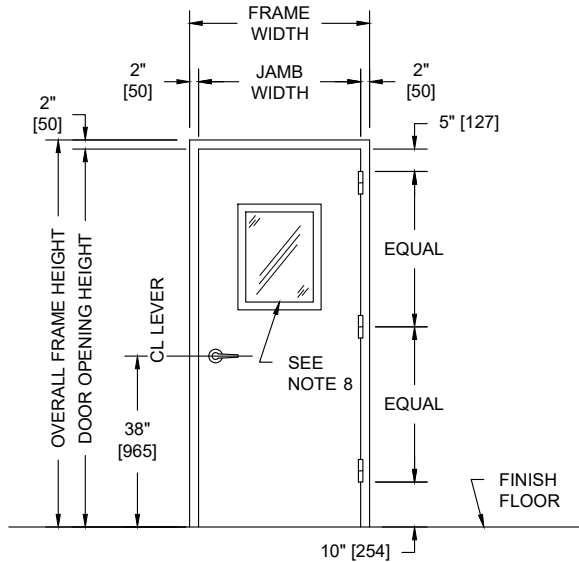
BRW

OVERLY

DOOR COMPANY

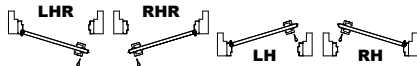
574 WEST OTTERMAN STREET
 POST OFFICE BOX 70
 GREENSBURG, PA 15601-0070
 TELEPHONE: 724-834-7300
 FAX: 724-830-2871

UL752 LEVEL 3, VISION LIGHT, NON-UL FIRE RATED SINGLE SWING METAL FRAME AND WOOD DOOR ASSEMBLY



PUBLIC SIDE ELEVATION
 RIGHT HAND REVERSE BEVEL SHOWN

SECURED AREA (INTERIOR)

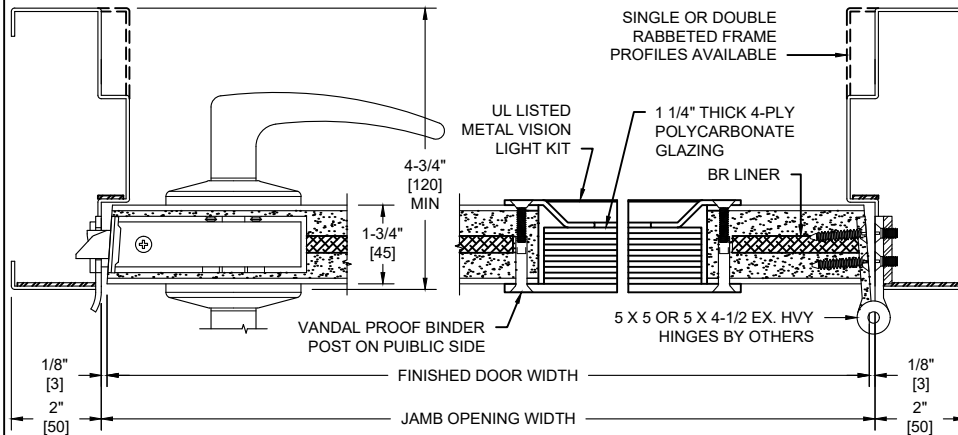


(KEY) SIDE

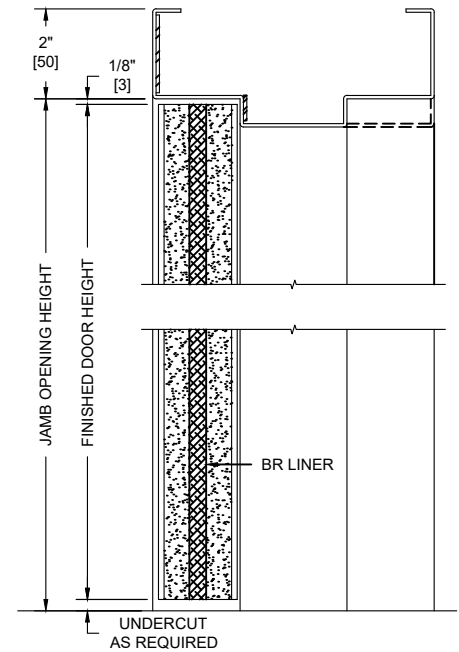
PUBLIC AREA (EXTERIOR)

NOTES:

- Both door, frame and vision light kit UL listed for UL752, Level 3 bullet resistance.
- Doors are for interior use only.
- Doors hung in carbon steel frame. All exposed surfaces of frame to receive one coat of rust inhibitive prime paint.
- Maximum door leaf size is 4'-0" x 10'-0".
- Door weight is 11.7 pounds / sq. foot.
- Doors recommended to be hung on 5" heavy weight or continuous hinges. Locks required to be BHMA Grade 1, 2, or 3. Electrical hardware with raceways available. Consult factory for specifics.
- MDO and veneer faces available in unfinished, primed, clear, or custom stains. Plastic laminates also available.
- Doors equipped with factory glazed UL Level 3, 4-ply polycarbonate laminate with metal glazing system. 10" minimum stile, 6" minimum top rail for narrow lights and 8" for lights where width may interfere with door closer mounting. 12" minimum bottom rail. If electrical locks are required, please consult the factory for minimum lock stile for specific electrified lock required.



HORIZONTAL SECTION



VERTICAL SECTION

UL LEVEL	AMMUNITION	MINIMUM VELOCITY FPS/MP5	NUMBER OF SHOTS
3	.44 MAGNUM LEAD SEMI-WADCUTTER GAS CHECKED	1350 / 411	3