

# SERIES

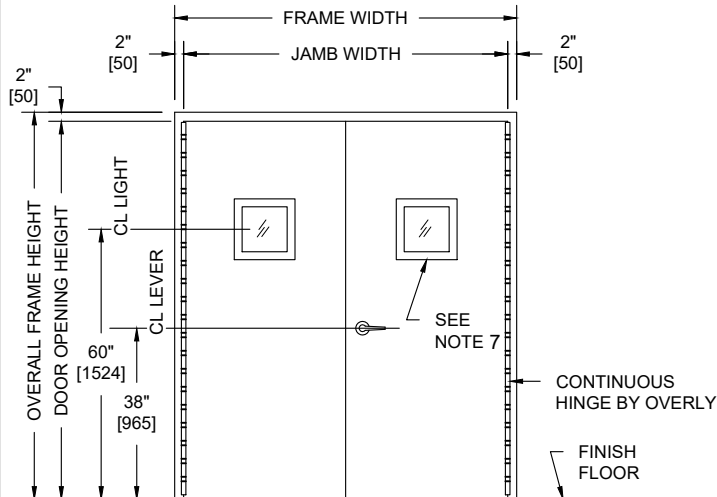
# BRM

# OVERLY

DOOR COMPANY

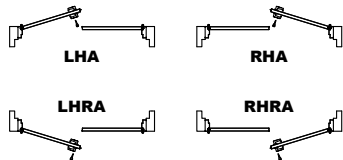
POST OFFICE BOX 70  
GREENSBURG, PA 15601-0070  
TELEPHONE: 724-834-7300  
FAX: 724-830-2871  
WWW.OVERLY.COM

## UL752 LEVEL 4, VISION LIGHT, NON-UL FIRE RATED PAIR WITH METAL FRAME AND DOOR ASSEMBLY

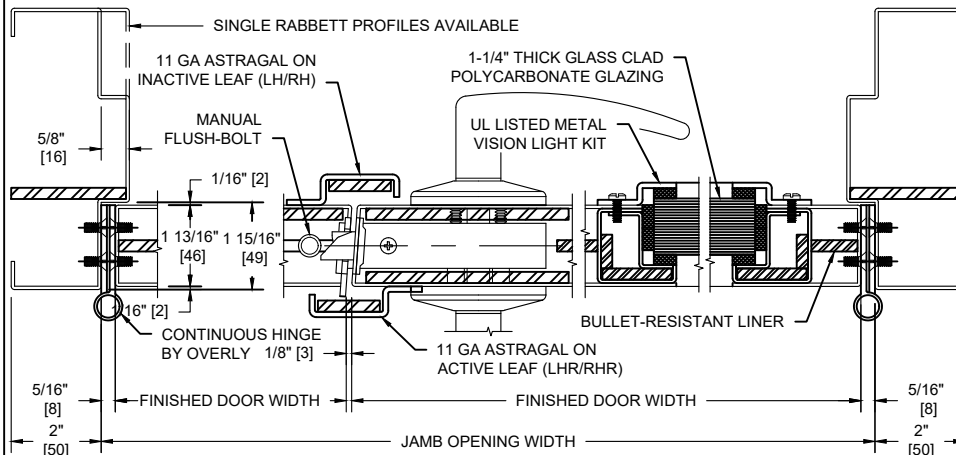


**PUBLIC SIDE ELEVATION**  
RIGHT HAND REVERSE BEVEL SHOWN

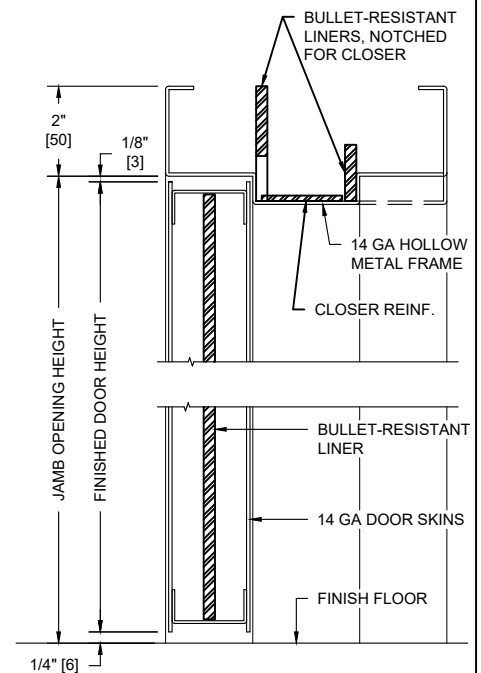
**SECURE AREA (INTERIOR)**



**(KEY) SIDE  
PUBLIC AREA (EXTERIOR)**



**HORIZONTAL SECTION**



**VERTICAL SECTION**

**NOTES:**

- Both doors, frame, astragal and vision light kits UL listed for UL752, Level 4 bullet resistance.
- Door and Frames can be fabricated from carbon or galvanized steel. All exposed surfaces of frame to receive one coat of rust inhibitive prime paint.
- Maximum door leaf size is 4'-0" x 10'-0" for a 8'-0" x 10'-0" maximum opening size.
- Door weight is 19.2 pounds / sq. foot.
- Doors to be hung on continuous hinges by Overly. Locks required to be BHMA Grade 1, 2, or 3. Electrical hardware with raceways available. Consult factory for specifics.
- Pairs of UL 752 bullet resistant doors must be equipped with an overlapping astragal by Overly with same rating as door and frame.
- Doors equipped with UL Level 4, glass clad polycarbonate laminate with metal glazing system.
  - 8" Minimum Stile
  - 6" Minimum Top Rail
  - 12" Minimum Bottom Rail

UL LEVEL	AMMUNITION	MINIMUM VELOCITY FPS/MP5	NUMBER OF SHOTS
4	.30 CALIBER RIFLE LEAD CORE SOFT POINT	2540 / 774	1