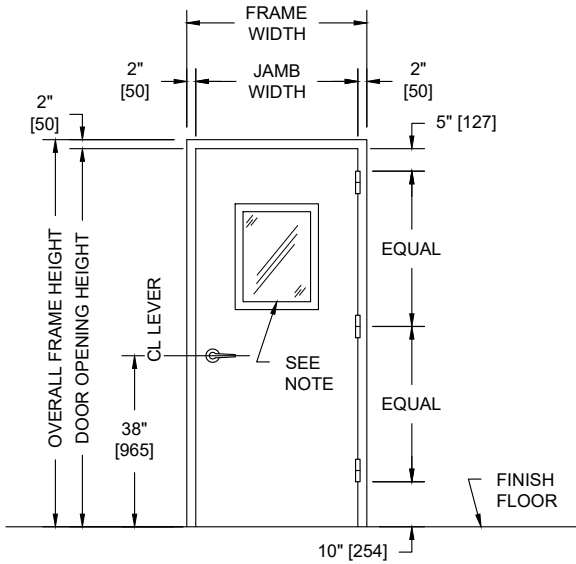
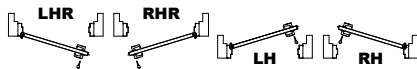


**MODEL NO. 419719 / FIRE RATED / STC 41 / WOOD / SOUND CONTROL DOOR AND FRAME ASSEMBLY / DOUBLE BUBBLE SEALS**



**PUBLIC SIDE ELEVATION**  
RIGHT HAND REVERSE BEVEL SHOWN

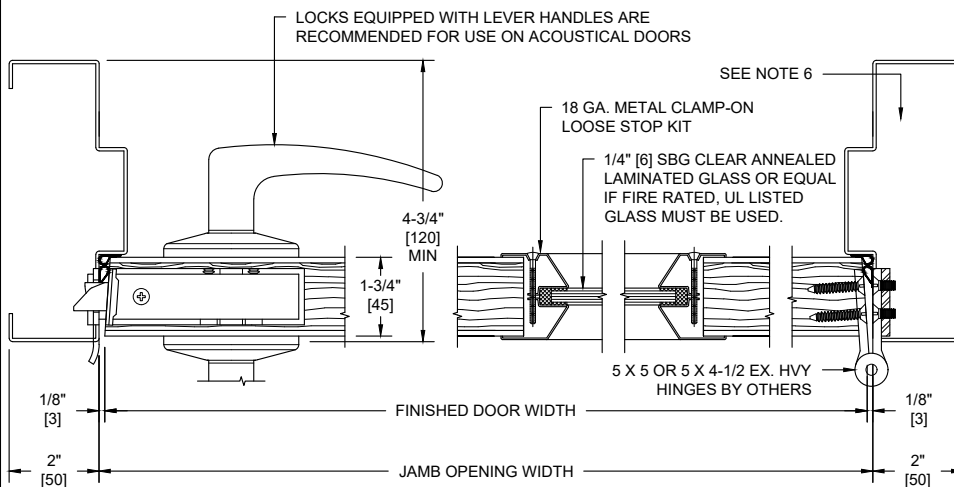
**SECURED AREA (INTERIOR)**



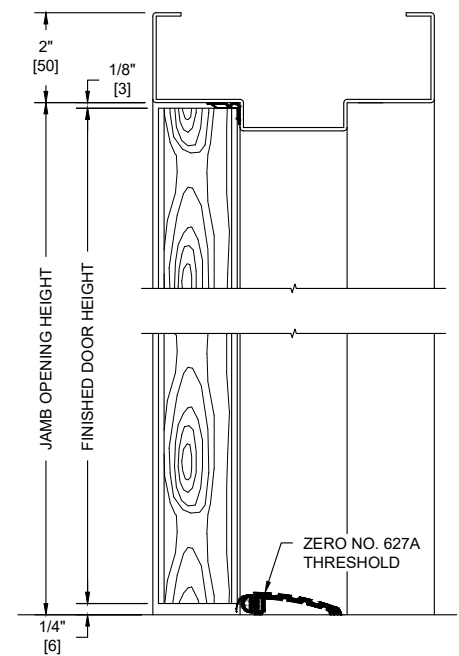
**(KEY) SIDE**  
**PUBLIC AREA (EXTERIOR)**

**NOTES:**

1. All exposed surfaces of frame to receive one coat of rust inhibitive prime paint.
2. A Zero no. 627A threshold is required for sealing bottom of door. Do not mount threshold over carpet.
3. Frame is equipped with double bubble seals at head and jambs.
4. Door weight is 8.85 pounds per square foot.
5. Door can be equipped with standard builders hardware, Customer to specify. No concealed or electrically operated hardware is permitted.
6. Frames equipped with masonry anchors must be grouted full in field. Bolt-in type frames must have all voids in head and jambs packed with 6 to 12 pound density mineral wool and all voids between wall and frame continuously caulked.
7. Wood species, cut and finish to be determined by the Architect.
8. Unit tested as single door with a 300 sq. in. metal single glazed vision light system at Riverbank Acoustical Laboratories. Results are described in Test Report No. TL97-19 with sound transmission results as shown in chart below.
9. Maximum leaf size 4' x 10' available. Up to 4' x 8' single swing units can bear up to 45 min UL 10C fire label with up to 1,296 sq. in. vision light. Doors swinging in pairs cannot be fire labeled unless provided with a mullion.
10. Door construction is covered by US Patent No. 6,112,496.



**HORIZONTAL SECTION**



**VERTICAL SECTION**

SOUND TRANSMISSION LOSS IN dB AT FREQUENCY / HERTZ																	
100	125	160	200	250	315	400	500	630	800	1000	1250	1600	2000	2500	3150	4000	5000
30	27	31	30	31	36	40	41	41	41	40	41	43	43	42	43	47	49

ALL DIMENSIONS BOTH IN INCHES AND MILLIMETERS