

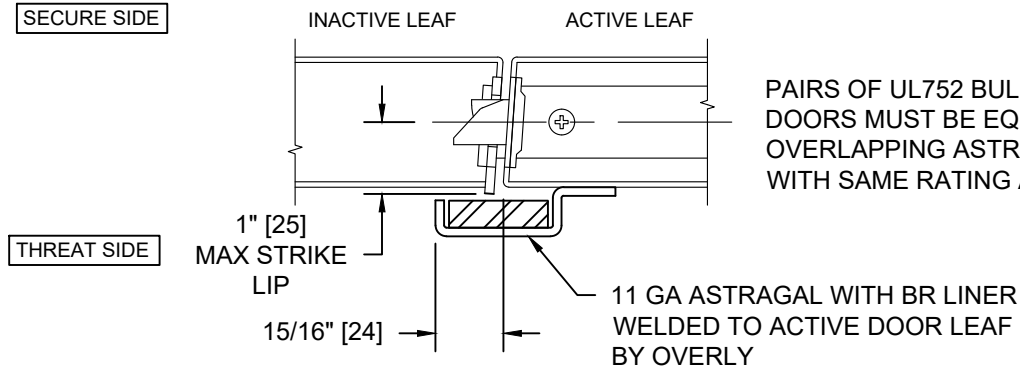
# SERIES

# BRM

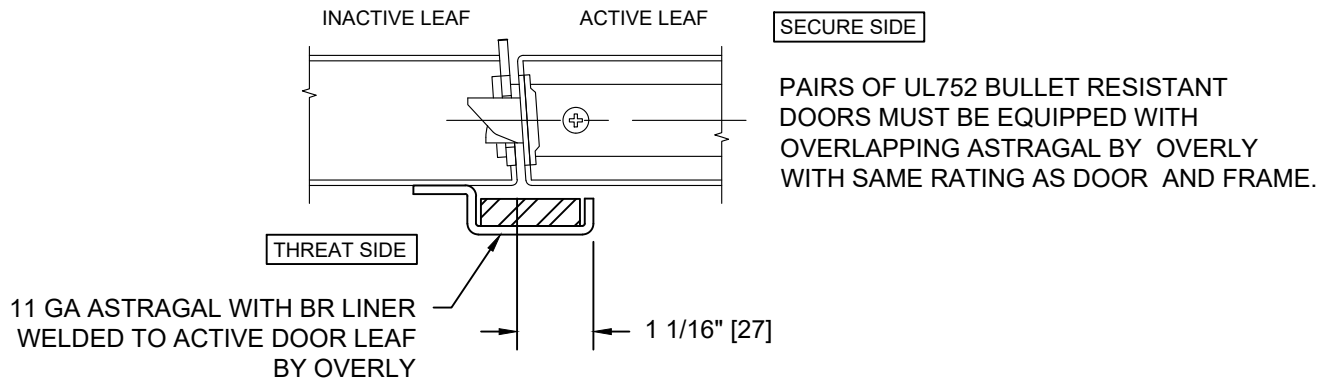
**OVERLY**  
DOOR COMPANY

574 WEST OTTERMAN STREET  
POST OFFICE BOX 70  
GREENSBURG, PA 15601-0070  
TELEPHONE: 724-834-7300  
FAX: 724-830-2871

## UL LEVEL 7 METAL BULLET RESISTANT ASTRAGAL SYSTEMS



### UL LEVEL 7 ASTRAGAL DETAIL REVERSE BEVEL SWING



### UL LEVEL 7 ASTRAGAL DETAIL REGULAR SWING