

SERIES

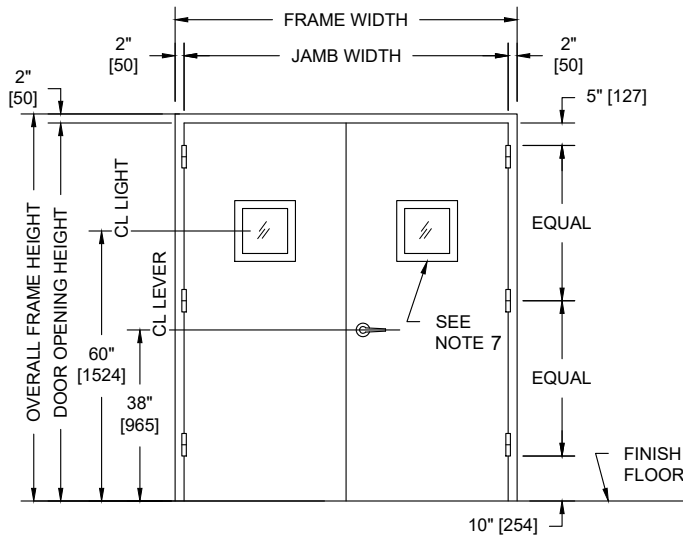
BRM

OVERLY

DOOR COMPANY

POST OFFICE BOX 70
GREENSBURG, PA 15601-0070
TELEPHONE: 724-834-7300
FAX: 724-830-2871
WWW.OVERLY.COM

UL752 LEVEL 1, VISION LIGHT, NON-UL FIRE RATED PAIR WITH METAL FRAME AND DOOR ASSEMBLY

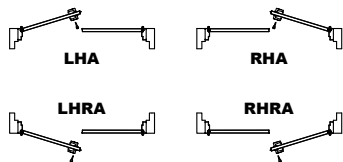


PUBLIC SIDE ELEVATION
RIGHT HAND REVERSE BEVEL SHOWN

NOTES:

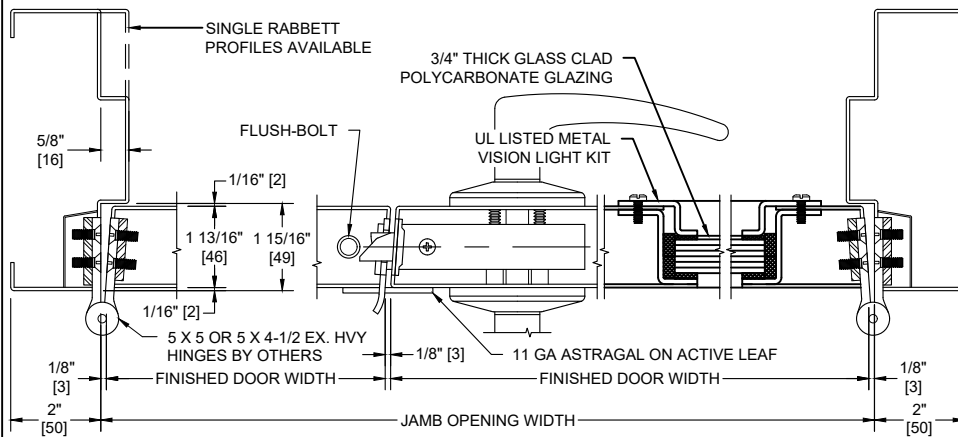
- Both doors, frame, astragal and vision light kits UL listed for UL752, Level 1 bullet resistance.
- Door and Frames can be fabricated from carbon or galvanized steel. All exposed surfaces of frame to receive one coat of rust inhibitive prime paint.
- Maximum door leaf size is 4'-0" x 10'-0" for a 8'-0" x 10'-0" maximum opening size.
- Door weight is 8.4 pounds / sq. foot.
- Doors recommended to be hung on 5" heavy weight or continuous hinges. Locks required to be BHMA Grade 1, 2, or 3. Electrical hardware with raceways available. Consult factory for specifics.
- Pairs of UL 752 bullet resistant doors must be equipped with an overlapping astragal by Overly with same rating as door and frame.
- Doors equipped with factory glazed UL Level 1, glass clad polycarbonate laminate with metal glazing system.
 - 8" Minimum Stile
 - 6" Minimum Top Rail
 - 12" Minimum Bottom Rail

SECURE AREA (INTERIOR)

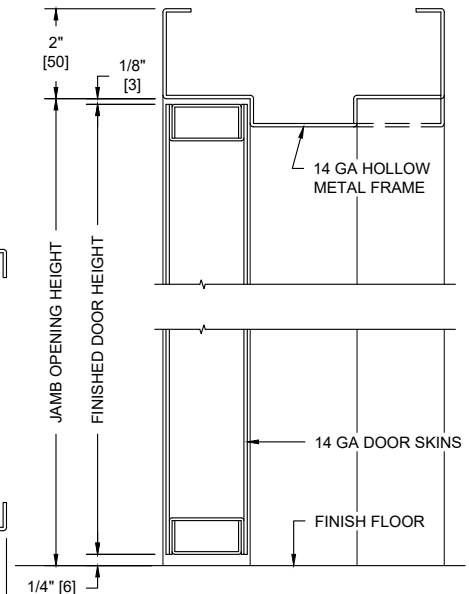


(KEY) SIDE

PUBLIC AREA (EXTERIOR)



HORIZONTAL SECTION



VERTICAL SECTION

UL LEVEL	AMMUNITION	MINIMUM VELOCITY FPS/MP5	NUMBER OF SHOTS
1	9mm FULL METAL COPPER JACKET WITH LEAD CORE	1175 / 358	3