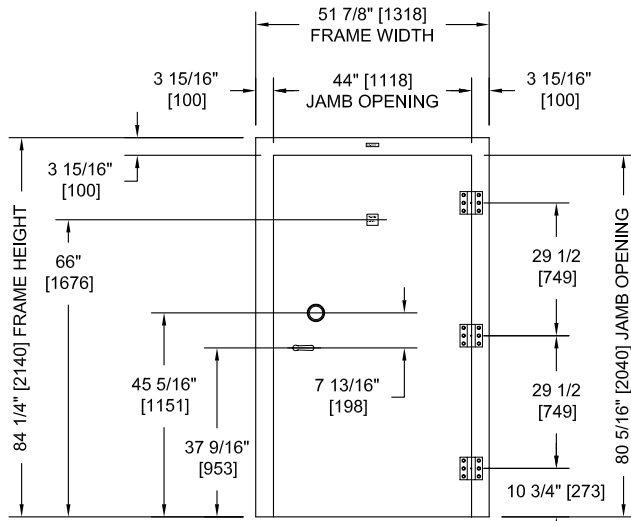
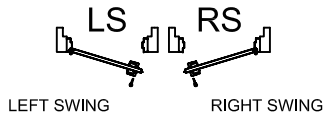


MODEL NO. C5A-IIR-K / CLASS 5 ARMORY DOOR AND FRAME ASSEMBLY TYPE IIR, STYLE K, DESIGN S, RIGHT SWING WITHOUT OPTICAL DEVICE

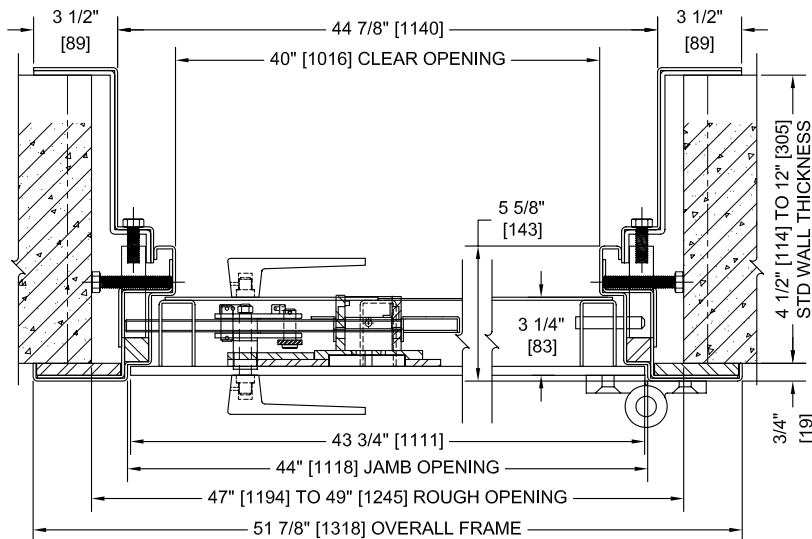


PUBLIC SIDE ELEVATION

SECURE AREA (INTERIOR)



(KEY) SIDE PUBLIC AREA (EXTERIOR)



HORIZONTAL SECTION

**Overly's Class 5 Security
Armory Doors have been
tested and approved
under upgraded federal
specification AA-D-600D**

30	MAN-MINUTES AGAINST COVERT ENTRY
10	MAN-MINUTES AGAINST FORCED ENTRY

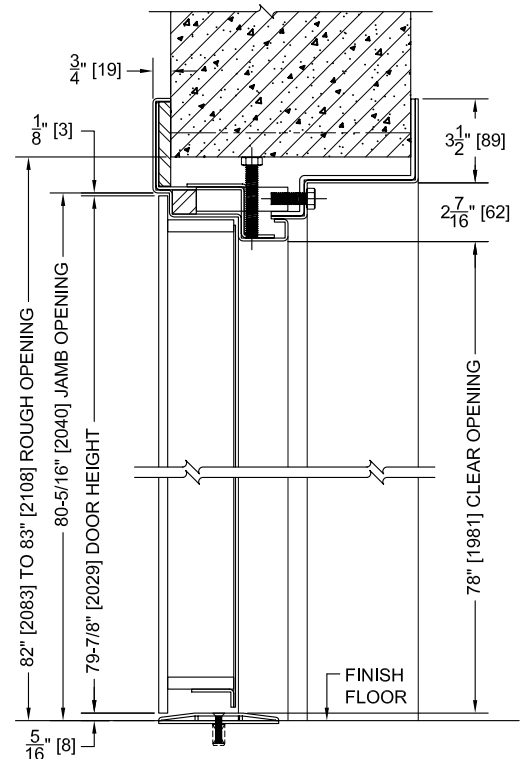
Shipping Weight: 1,395 lb
Net Weight: 1,225 lb

INFORMATION WE NEED TO PROCESS YOUR ORDER

1. Contract or Purchase Order Number.
2. National Stock Number.
3. Wall Thickness.
4. Swing of Day Gate (if required).
5. Packing Level A or Level C. Level C Commercial Level is Standard.
If Level A Military Export is Required, Please Specify.

STANDARD HARDWARE PACKAGE

- 1 S&G 2937 Combination Lock
- 3 Overly P-800 Hinges
- 1 Exterior Lever Handle



VERTICAL SECTION