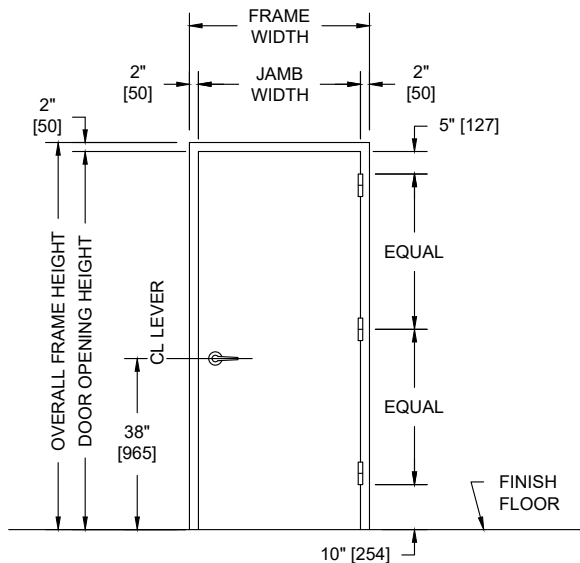


MODEL NO. 4726110 / UL FIRE RATED / STC 47
FLUSH SOUND CONTROL
DOOR AND FRAME ASSEMBLY / ENHANCED MAGNETIC SEALS

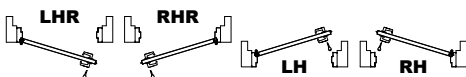


PUBLIC SIDE ELEVATION
 RIGHT HAND REVERSE BEVEL SHOWN

NOTES:

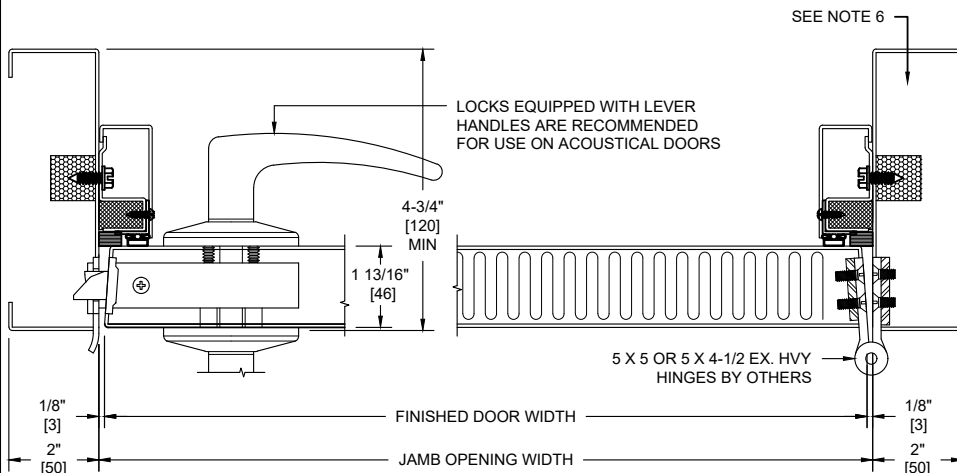
1. All exposed surfaces of door and frame to receive one coat of rust inhibitive prime paint.
2. Door bottom requires flush level sealing surface. Wood, aluminum, or stainless steel threshold recommended. Do not seal against carpet.
3. Frame is equipped with Overly enhanced magnetic seals at head and jambs. Door is equipped with an automatic door bottom.
4. Door weight is 12.4 pounds per square foot.
5. Door can be equipped with standard builders hardware, customer to specify. Concealed hardware is not recommended for acoustical doors.
6. Frames equipped with masonry anchors must be grouted full in field. Bolt-in type frames must have all voids in head and jambs packed with 6 to 12 pound density mineral wool and all voids between wall and frame continuously caulked.
7. UL fire labels available in compliance with UL10C. UL labeled units require a closer and three hinges. Consult factory for specifics.
8. Unit tested as single door at Riverbank Acoustical Laboratories. Results are described in Test Report No. TL26-110 with sound transmission results as shown in chart below.

SECURED AREA (INTERIOR)

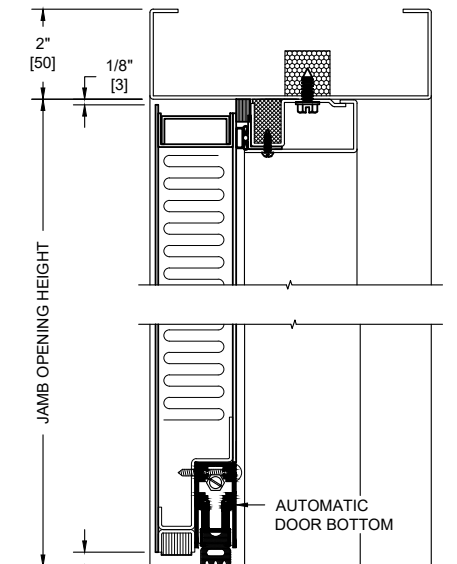


(KEY) SIDE

PUBLIC AREA (EXTERIOR)



HORIZONTAL SECTION



VERTICAL SECTION

| SOUND TRANSMISSION LOSS IN dB AT FREQUENCY / HERTZ | | | | | | | | | | | | | | | | | |
|--|-----|-----|-----|-----|-----|-----|-----|-----|-----|------|------|------|------|------|------|------|------|
| 100 | 125 | 160 | 200 | 250 | 315 | 400 | 500 | 630 | 800 | 1000 | 1250 | 1600 | 2000 | 2500 | 3150 | 4000 | 5000 |
| 28 | 32 | 37 | 38 | 41 | 44 | 44 | 45 | 45 | 45 | 43 | 44 | 47 | 50 | 53 | 54 | 51 | 53 |

ALL DIMENSIONS
 BOTH IN INCHES
 AND MILLIMETERS