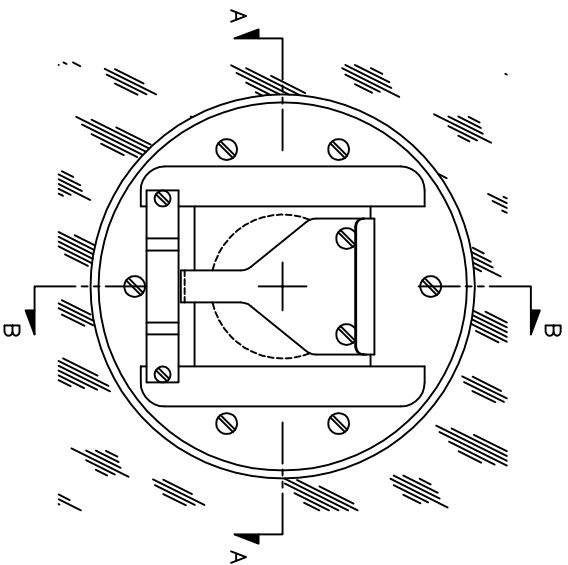
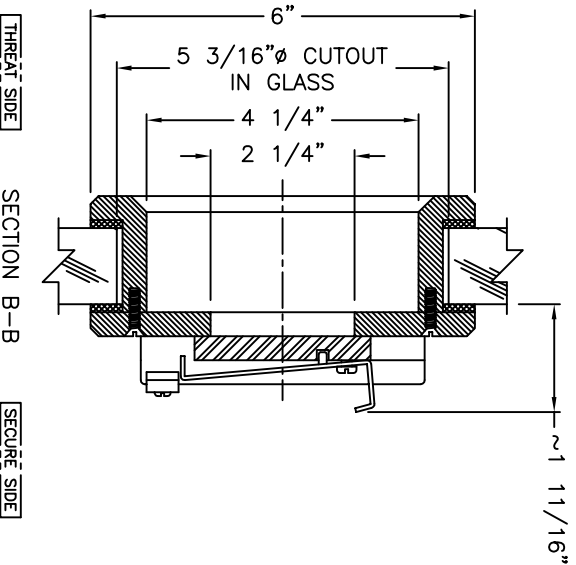


**NOTES:**

- 1) MODEL GP ARMORED GUN PORTS FOR HAND GUNS
- 2) UL LEVEL 1-8 B/R RATING
- 3) BULLET RESISTANT ACCORDING TO UL752
- 4) DIMENSIONS ARE IDENTICAL FOR ALL MODELS EXCEPT FOR "X", WHICH IS DETERMINED BY THE NOMINAL GLAZING THICKNESS WHICH IN TURN IS DEPENDENT UPON THE B/R RATING REQD
- 5) LEVEL 1 (MPSA) GLASS SHOWN

**INSTALLATION:**

- 1) DISASSEMBLE GUN PORT INTO PARTS SHOWN IN DETAIL "A" ABOVE
- 2) INSERT ONE GASKET ITEM "B" AGAINST THE FLANGE OF THE HOUSING, ITEM "A". INSERT BOTH INTO GLASS OPENING FROM THE EXTERIOR (THREAT SIDE)
- 3) SLIP ON SECOND GASKET, ITEM "B" AND CONNECT SUBASSEMBLY "C" WITH FLATHEAD SCREWS "D" PROVIDED



**NOTICE**

THIS DRAWING AND DESIGN ARE THE PROPERTY OF THE OVERLY DOOR COMPANY. THIS DRAWING IS LOANED TO YOU SUBJECT TO THE CONDITION THAT IT SHALL NOT BE REPRODUCED, COPIED, LOANED OR OTHERWISE DISPOSED OF DIRECTLY OR INDIRECTLY. IT SHALL NOT BE USED TO FURNISH ANY INFORMATION FOR THE MAKING OF DRAWINGS, PRINTS OR APPARATUS, OR PARTS THEREOF, EXCEPT WHERE OTHERWISE SPECIFICALLY PROVIDED FOR BY CONTRACT AGREEMENT WITH THE OVERLY DOOR COMPANY.

**Model GP Armored Gunport for Hand Guns**



574 West Ollerman Street  
Greensburg, PA 15601  
Phone: 800-697-7300  
Fax: 724-430-2871  
Email: [overly@overly.com](mailto:overly@overly.com)

DO NOT SCALE DRAWING

DRAWN BY/DATE: JMC 2/10/2010

CONTROL NUMBER: DET-150

FILENAME: cut-gp.dwg