

# SERIES

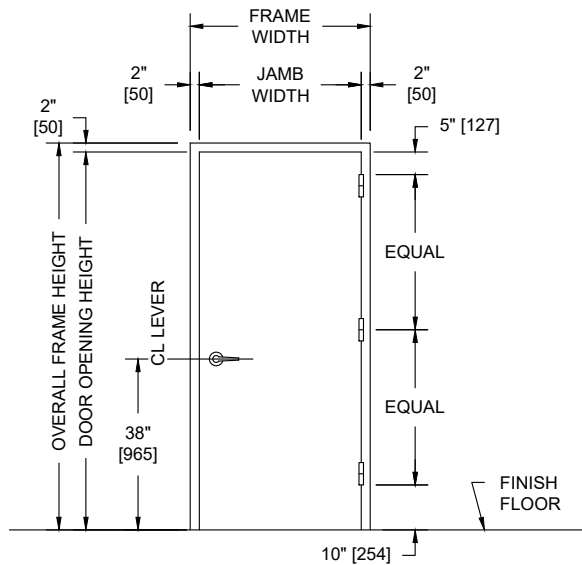
# SCW

# OVERLY

DOOR COMPANY

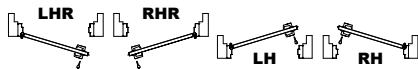
574 WEST OTTERMAN STREET  
 POST OFFICE BOX 70  
 GREENSBURG, PA 15601-0070  
 TELEPHONE: 724-834-7300  
 FAX: 724-830-2871

**MODEL NO. 479725 / FIRE RATED / STC 47 / WOOD / SOUND CONTROL DOOR AND FRAME ASSEMBLY / DOUBLE BUBBLE SEALS**



**PUBLIC SIDE ELEVATION**  
 RIGHT HAND REVERSE BEVEL SHOWN

**SECURED AREA (INTERIOR)**

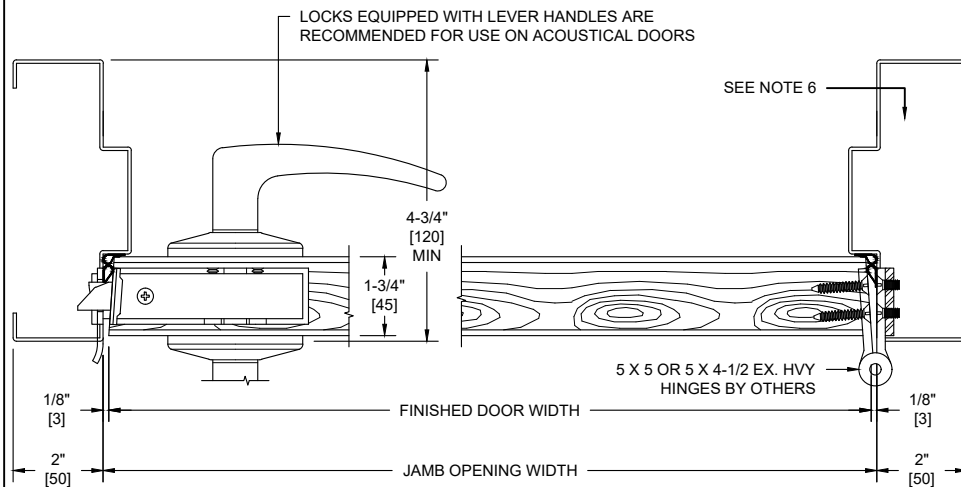


**(KEY) SIDE**

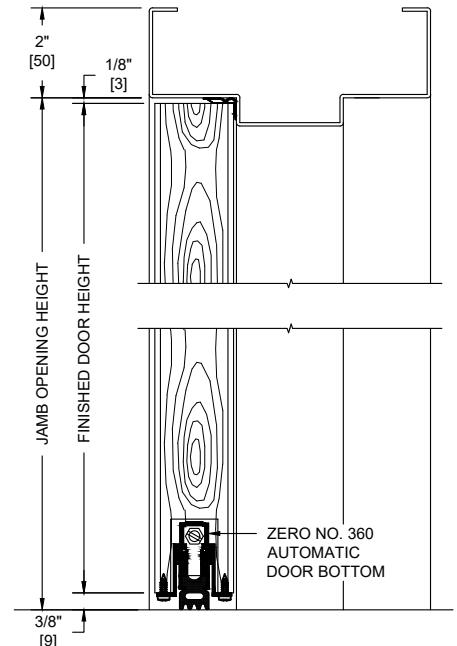
**PUBLIC AREA (EXTERIOR)**

**NOTES:**

- All exposed surfaces of frame to receive one coat of rust inhibitive prime paint.
- Door bottom requires a flush level sealing surface. Wood, aluminum, or stainless steel thresholds are recommended. Do not seal against carpet.
- Frame is equipped with double bubble seals at head and jambs. Door is equipped with a Zero no. 360 fully mortised automatic door bottom.
- Door weight is 7.67 pounds per square foot.
- Door can be equipped with standard builders hardware, Customer to specify. No concealed or electrically operated hardware is permitted.
- Frames equipped with masonry anchors must be grouted full in field. Bolt-in type frames must have all voids in head and jambs packed with 6 to 12 pound density mineral wool and all voids between wall and frame continuously caulked.
- Wood species, cut and finish to be determined by the Architect.
- Unit tested as single door at Riverbank Acoustical Laboratories. Results are described in Test Report No. TL97-25 with sound transmission results as shown in chart below.
- Maximum leaf size 4' x 10' available. Up to 4' x 8' single swing units can bear up to 45 min UL 10C fire label with up to 1,296 sq. in. vision light. Doors swinging in pairs cannot be fire labeled unless provided with a mullion.
- Door construction is covered by US Patent No. 6,112,496.



**HORIZONTAL SECTION**



**VERTICAL SECTION**

SOUND TRANSMISSION LOSS IN dB AT FREQUENCY / HERTZ																	
100	125	160	200	250	315	400	500	630	800	1000	1250	1600	2000	2500	3150	4000	5000
27	27	33	37	38	38	40	45	48	48	50	51	50	50	49	50	52	55

ALL DIMENSIONS BOTH IN INCHES AND MILLIMETERS