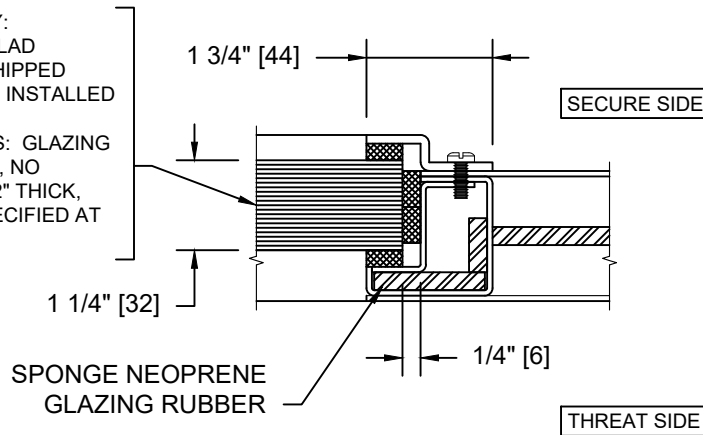


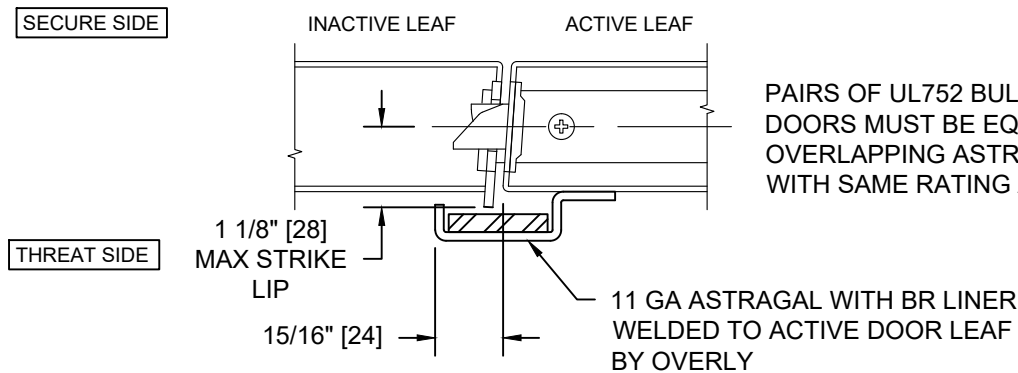
UL LEVEL 4 METAL BULLET RESISTANT GLAZING AND ASTRAGAL SYSTEMS

IF GLASS BY OVERLY:
UL LEVEL 4 GLASS CLAD
POLYCARBONATE SHIPPED
LOOSE OR FACTORY INSTALLED

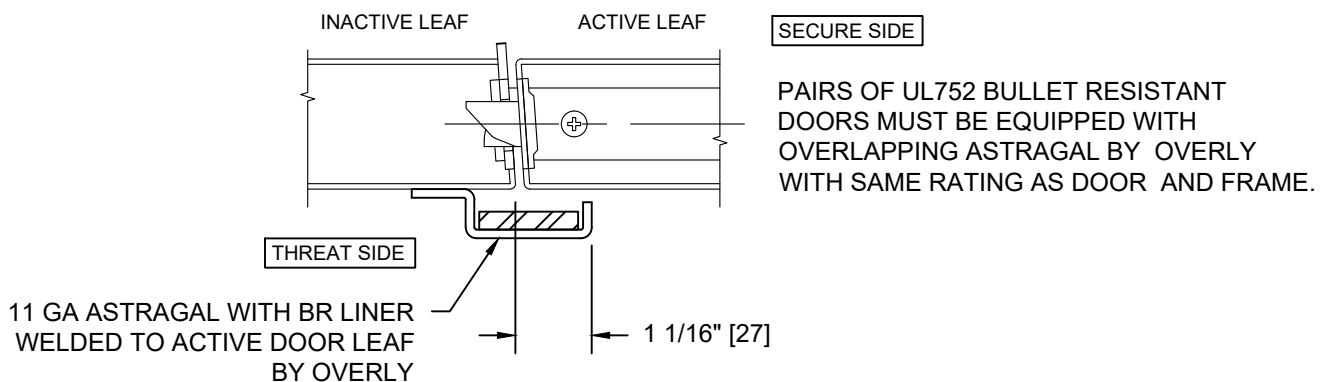
IF GLASS BY OTHERS: GLAZING
MUST BE UL LEVEL 4, NO
GREATER THAN 1-1/2" THICK,
AND THICKNESS SPECIFIED AT
TIME OF ORDER



UL LEVEL 4 GLAZING REQUIREMENTS



UL LEVEL 4 ASTRAGAL DETAIL REVERSE BEVEL SWING



UL LEVEL 4 ASTRAGAL DETAIL REGULAR SWING