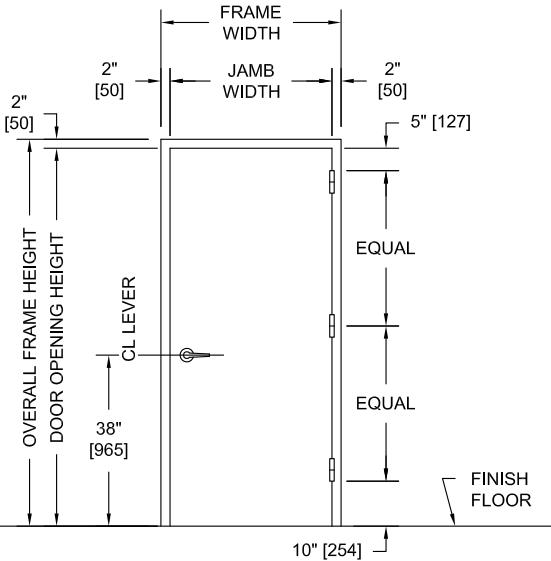


MODEL NO. 5192149 / UL FIRE RATED / STC 51 / FLUSH SOUND CONTROL DOOR AND FRAME ASSEMBLY / COMPRESSION SEALS

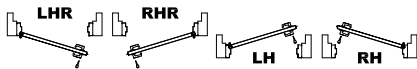


PUBLIC SIDE ELEVATION
RIGHT HAND REVERSE BEVEL SHOWN

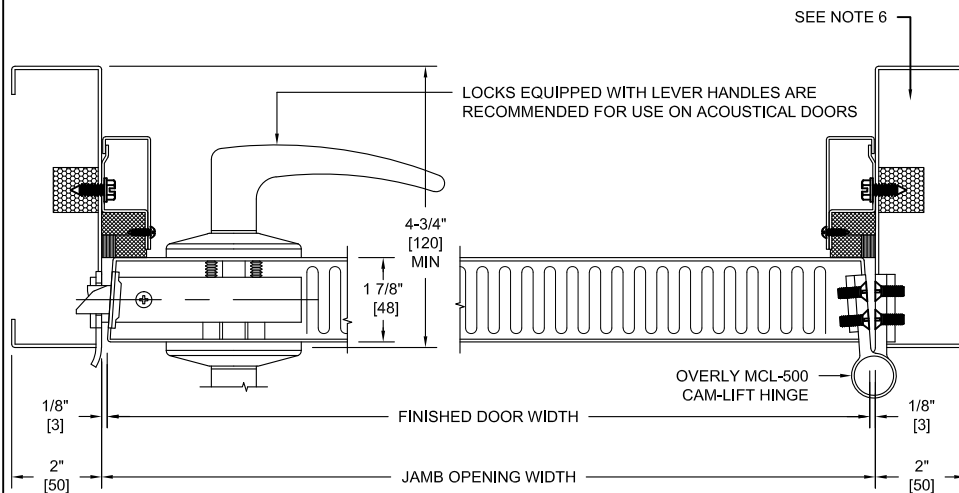
NOTES:

1. All exposed surfaces of door and frame to receive one coat of rust inhibitive prime paint.
2. Door bottom requires flush level sealing surface. Wood, aluminum, or stainless steel threshold recommended. Do not seal against carpet.
3. Frame is equipped with Overly "H" compression seals at head and jambs. Door is equipped with a Overly super "H" door bottom.
4. Door weight is 14.0 pounds per square foot.
5. Door can be equipped with standard builders hardware, Customer to specify. Concealed hardware is not recommended for acoustical doors.
6. Frames equipped with masonry anchors must be grouted full in field. Bolt-in type frames must have all voids in head and jambs packed with 6 to 12 pound density mineral wool and all voids between wall and frame continuously caulked.
7. UL fire labels available in compliance with UL10B and UL10C/UBC7-2. Consult factory for specifics.
8. Unit tested as single door at Riverbank Acoustical Laboratories. Results are described in Test Report No. TL92-149 with sound transmission results as shown in chart below.

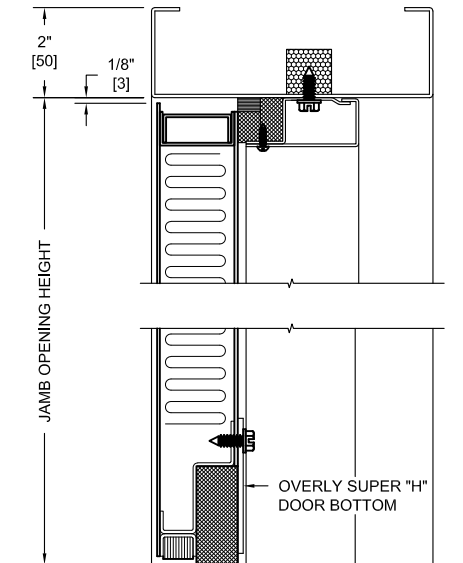
SECURED AREA (INTERIOR)



(KEY) SIDE
PUBLIC AREA (EXTERIOR)



HORIZONTAL SECTION



VERTICAL SECTION

SOUND TRANSMISSION LOSS IN dB AT FREQUENCY / HERTZ																	
100	125	160	200	250	315	400	500	630	800	1000	1250	1600	2000	2500	3150	4000	5000
31	34	34	37	41	42	48	50	52	52	53	55	58	60	61	59	60	60

ALL DIMENSIONS
BOTH IN INCHES
AND MILLIMETERS