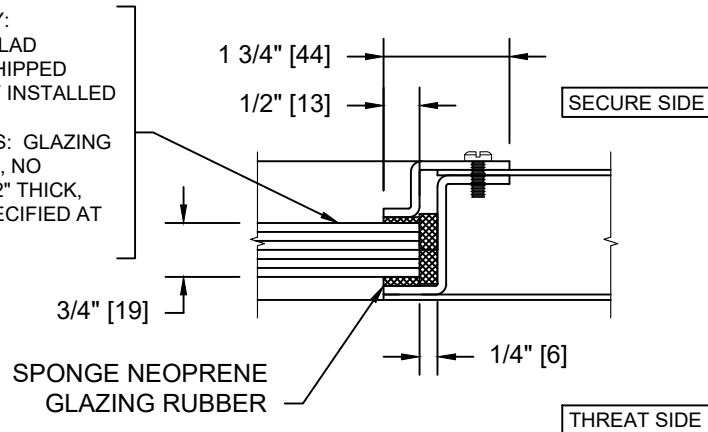


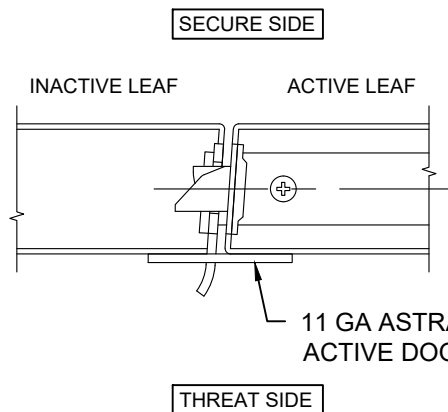
UL LEVEL 1 METAL BULLET RESISTANT GLAZING AND ASTRAGAL SYSTEMS

IF GLASS BY OVERLY:
UL LEVEL 1 GLASS CLAD
POLYCARBONATE SHIPPED
LOOSE OR FACTORY INSTALLED

IF GLASS BY OTHERS: GLAZING
MUST BE UL LEVEL 1, NO
GREATER THAN 1-1/2" THICK,
AND THICKNESS SPECIFIED AT
TIME OF ORDER

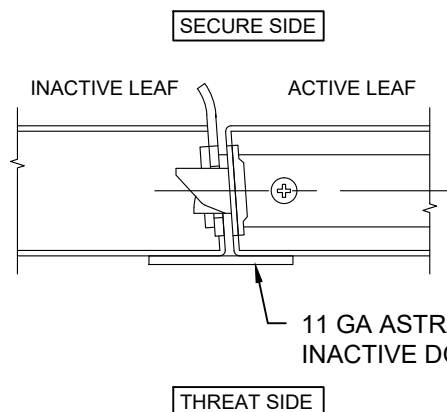


UL LEVEL 1 GLAZING REQUIREMENTS



PAIRS OF UL752 BULLET RESISTANT
DOORS MUST BE EQUIPPED WITH
OVERLAPPING ASTRAGAL BY OVERLY
WITH SAME RATING AS DOOR AND FRAME.

UL LEVEL 1 ASTRAGAL DETAIL REVERSE BEVEL SWING



PAIRS OF UL752 BULLET RESISTANT
DOORS MUST BE EQUIPPED WITH
OVERLAPPING ASTRAGAL BY OVERLY
WITH SAME RATING AS DOOR AND FRAME.

UL LEVEL 1 ASTRAGAL DETAIL REGULAR SWING