

# SERIES

# SC

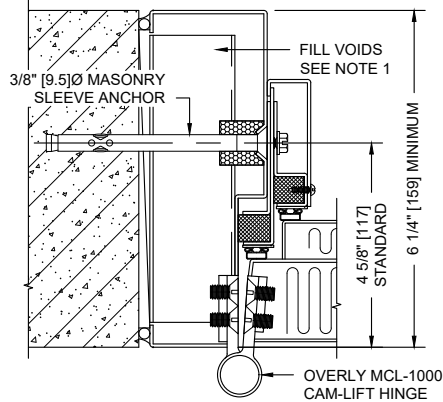
# OVERLY DOOR COMPANY

574 WEST OTTERMAN STREET  
POST OFFICE BOX 70  
GREENSBURG, PA 15601-0070  
TELEPHONE: 724-834-7300  
FAX: 724-830-2871

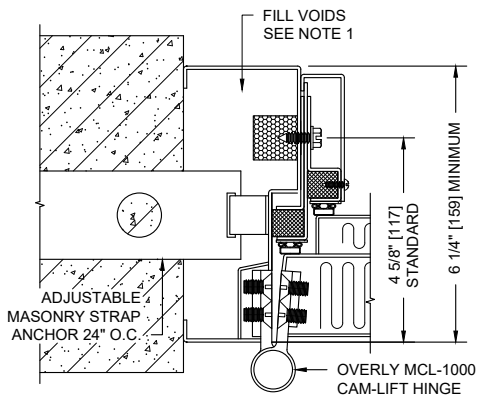
## TYPICAL SOUND CONTROL WALL ANCHORAGE SYSTEMS FOR 2-3/4" THICK METAL ACOUSTICAL DOOR WITH DUAL MAGNETIC PERIMETER SEALS

### NOTES:

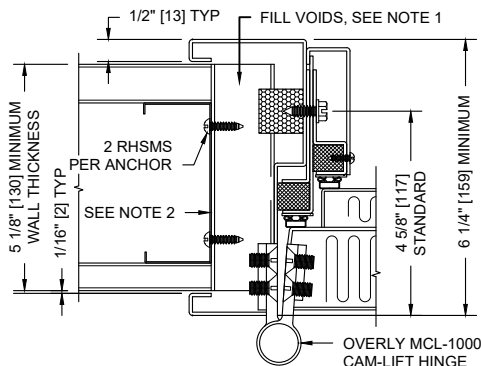
1. Head and jambs of frames equipped with masonry anchors must be grouted full in field. Bolt-in type frames must have all voids in head and jambs packed with 6 to 12 pound density mineral wool and all voids between wall and frame continuously caulked.
2. For anchorage systems used in all steel or wood stud walls, it is recommended a structural tube or reinforced stud is run from and anchored to floor slab and ceiling structure above.
3. Custom frame profiles and anchorages available. Consult factory with your specific project needs.



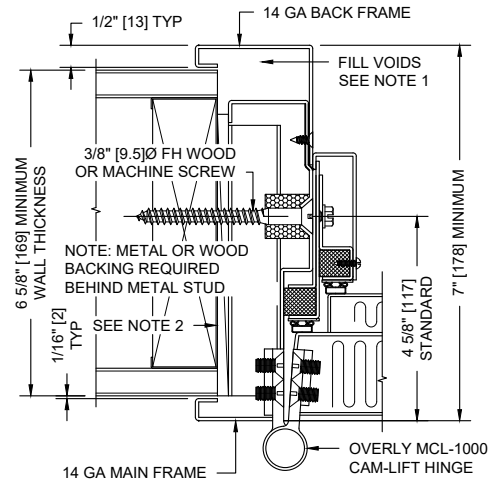
**BOLT IN INSTALLATION  
IN EXISTING POURED CONCRETE WALL  
OR EXISTING MASONRY WALL**



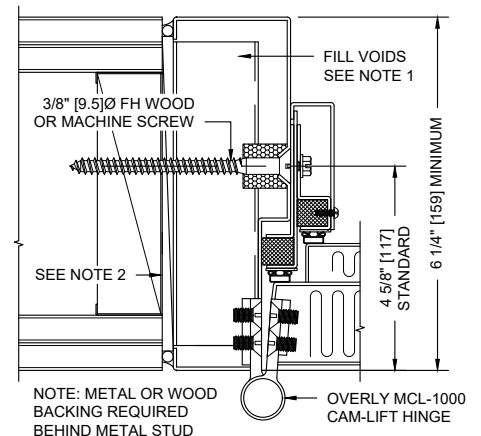
**BUILT-IN INSTALLATION  
IN NEW MASONRY WALL**



**BUILT-IN INSTALLATION  
IN NEW STUD WALL**



**OPTIONAL SPLIT TYPE FRAME  
FOR BOLT IN INSTALLATION IN  
EXISTING STUD WALL**



**BOLT-IN INSTALLATION  
IN EXISTING STUD WALL**

ALL DIMENSIONS  
BOTH IN INCHES  
AND MILLIMETERS