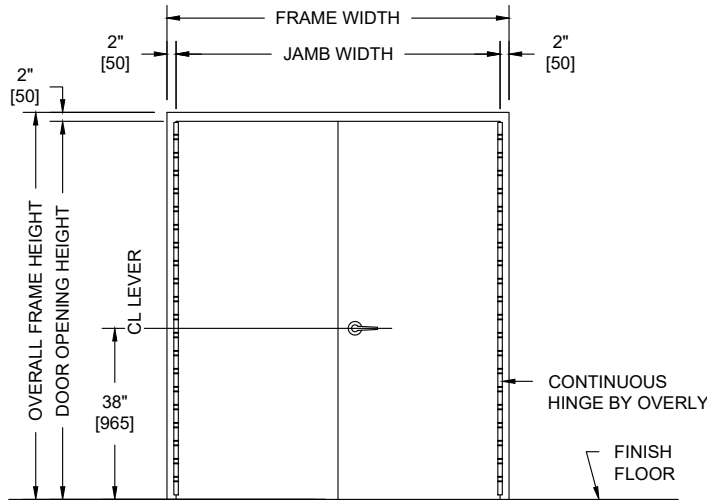


# BRM



## UL752 LEVEL 8, FLUSH, UP TO 3 HOUR FIRE RATED PAIR WITH METAL FRAME AND DOOR ASSEMBLY

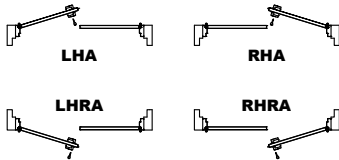


**NOTES:**

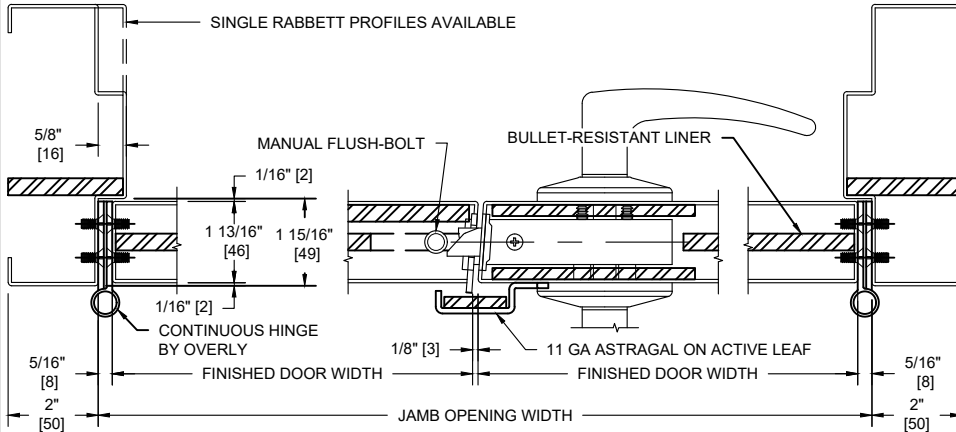
- Both door and frame UL listed for UL752, Level 8 bullet resistance.
- Door and Frames can be fabricated from carbon or galvanized steel. All exposed surfaces of frame to receive one coat of rust inhibitive prime paint.
- Units can be UL fire rated up to 3 hours in accordance with UL standard 10C.
- Maximum door leaf size is 4'-0" x 10'-0" for an 8'-0" x 10'-0" maximum opening size.
- Door weight is 24.5 pounds / sq. foot.
- Doors to be hung on continuous hinges by Overly. Locks required to be BHMA Grade 1, 2, or 3. Electrical hardware with raceways available. Consult factory for specifics.
- Pairs of UL 752 bullet resistant doors must be equipped with an overlapping astragal by Overly with same rating as door and frame.

**PUBLIC SIDE ELEVATION**  
RIGHT HAND REVERSE BEVEL SHOWN

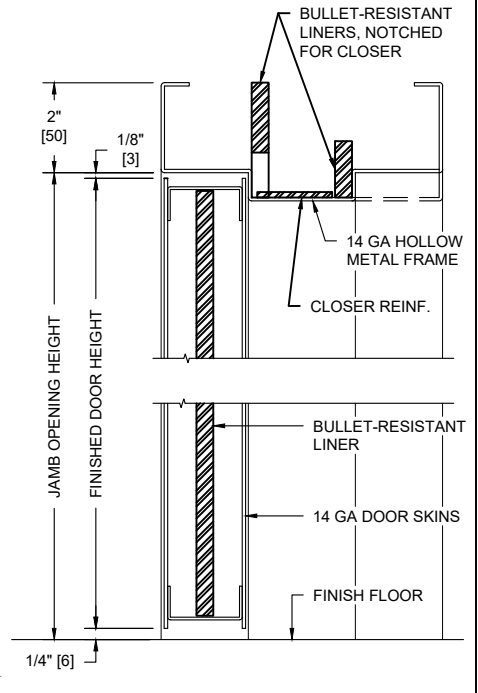
**SECURE AREA (INTERIOR)**



**(KEY) SIDE**  
**PUBLIC AREA (EXTERIOR)**



**HORIZONTAL SECTION**



**VERTICAL SECTION**

UL LEVEL	AMMUNITION	MINIMUM VELOCITY FPS/MPG	NUMBER OF SHOTS
8	7.62mm RIFLE LEAD CORE FULL METAL COPPER JACKET, MILITARY BALL	2750 / 838	5