

SERIES

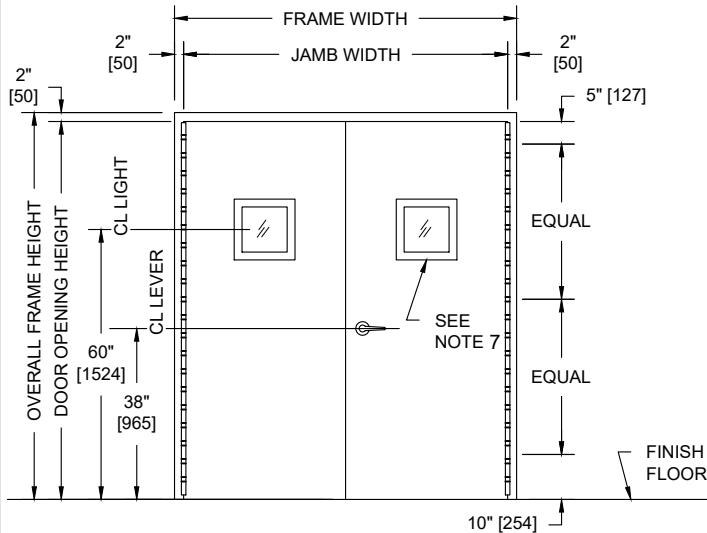
BRM

OVERLY

DOOR COMPANY

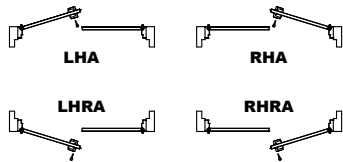
574 WEST OTTERMAN STREET
 POST OFFICE BOX 70
 GREENSBURG, PA 15601-0070
 TELEPHONE: 724-834-7300
 FAX: 724-830-2871

UL752 LEVEL 8, VISION LIGHT, NON-UL FIRE RATED PAIR WITH METAL FRAME AND DOOR ASSEMBLY

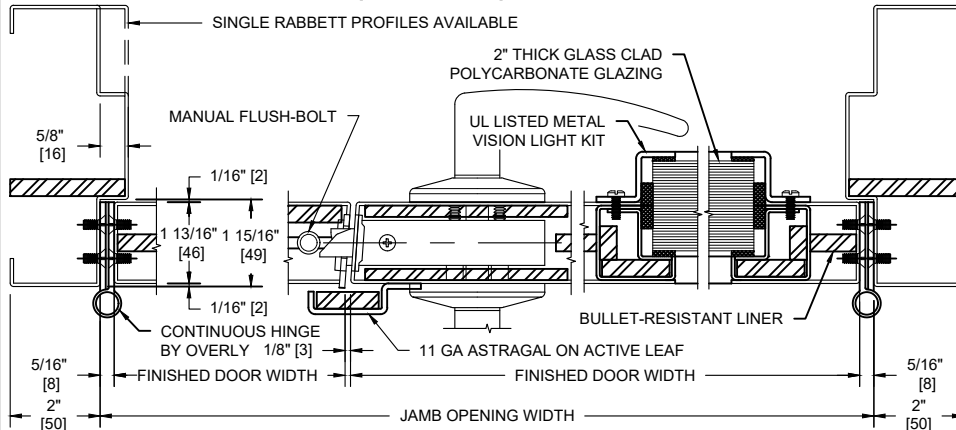


PUBLIC SIDE ELEVATION
 RIGHT HAND REVERSE BEVEL SHOWN

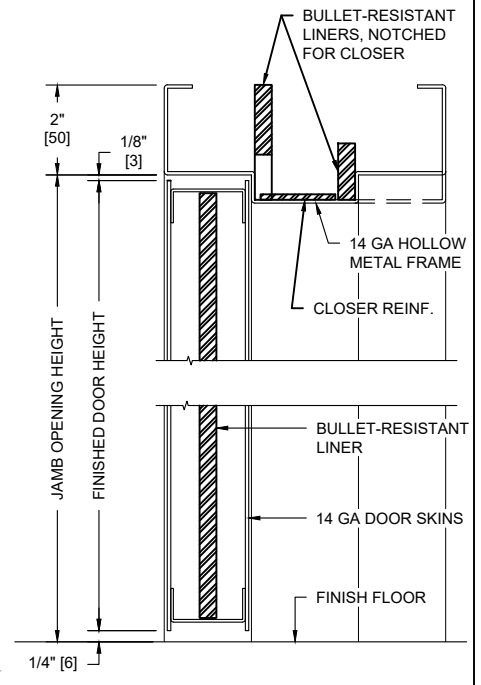
SECURE AREA (INTERIOR)



**(KEY) SIDE
 PUBLIC AREA (EXTERIOR)**



HORIZONTAL SECTION



VERTICAL SECTION

NOTES:

- Both doors, frame, astragal and vision light kits UL listed for UL752, Level 8 bullet resistance.
- Door and Frames can be fabricated from carbon or galvanized steel. All exposed surfaces of frame to receive one coat of rust inhibitive prime paint.
- Maximum door leaf size is 4'-0" x 10'-0" for a 8'-0" x 10'-0" maximum opening size.
- Door weight is 24.1 pounds / sq. foot.
- Doors to be hung on continuous hinges by Overly. Locks required to be BHMA Grade 1, 2, or 3. Electrical hardware with raceways available. Consult factory for specifics.
- Pairs of UL 752 bullet resistant doors must be equipped with an overlapping astragal by Overly with same rating as door and frame.
- Doors equipped with UL Level 8, glass clad polycarbonate laminate with metal glazing system.
 - 8" Minimum Stile
 - 6" Minimum Top Rail
 - 12" Minimum Bottom Rail

UL LEVEL	AMMUNITION	MINIMUM VELOCITY FPS/MPS	NUMBER OF SHOTS
8	7.62mm RIFLE LEAD CORE FULL METAL COPPER JACKET, MILITARY BALL	2750 / 838	5