

SERIES

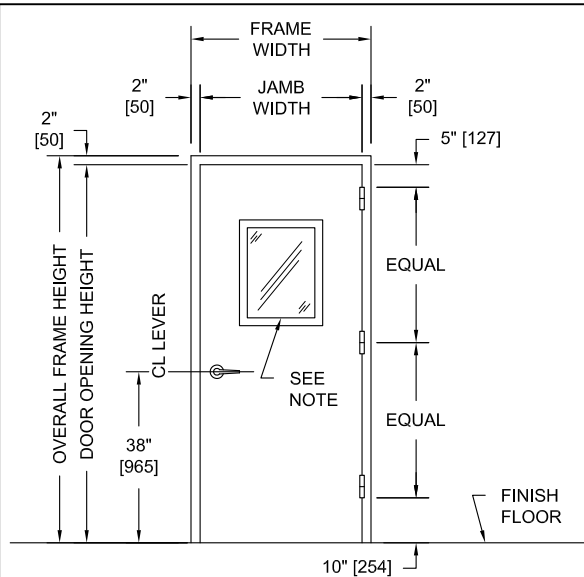
SC

OVERLY

DOOR COMPANY

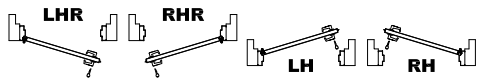
POST OFFICE BOX 70
 GREENSBURG, PA 15601-0070
 TELEPHONE: 724-834-7300
 FAX: 724-830-2871
 EMAIL: overly@overly.com

**MODEL NO. 4812035 / UL FIRE RATED / STC 48 / E90-09 / DUAL GLAZED
 SOUND CONTROL DOOR AND FRAME ASSEMBLY / SINGLE COMPRESSION SEALS**



PUBLIC SIDE ELEVATION
 RIGHT HAND REVERSE BEVEL SHOWN

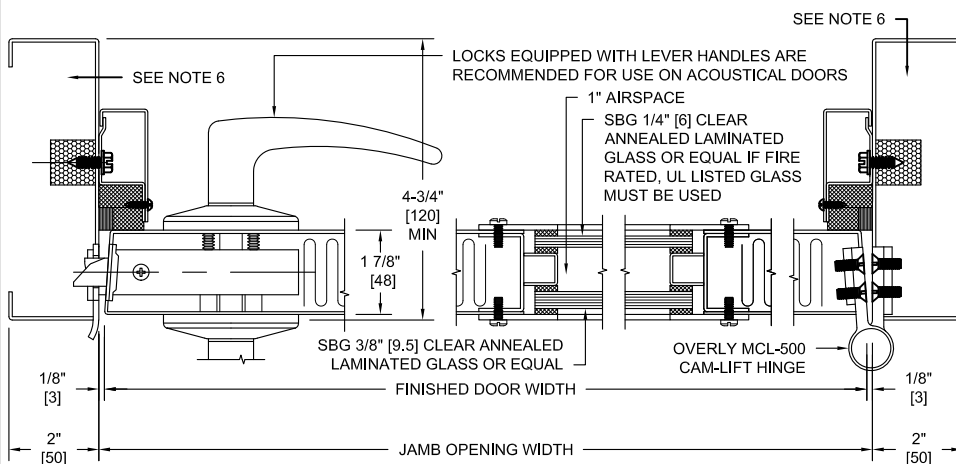
SECURED AREA (INTERIOR)



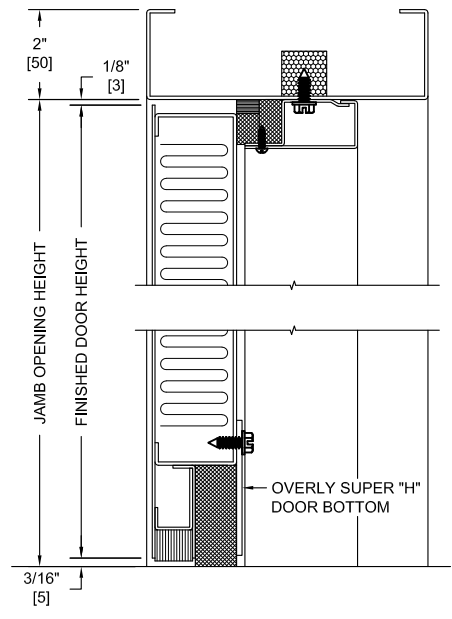
(KEY) SIDE
PUBLIC AREA (EXTERIOR)

NOTES:

1. All exposed surfaces of door and frame to receive one coat of rust inhibitive prime paint.
2. Door bottom requires flush level sealing surface. Wood, aluminum, or stainless steel threshold recommended. Do not seal against carpet.
3. Frame is equipped with Overly Single "H" compression seals at head and jambs. Door is equipped with an Overly Super "H" door bottom.
4. Door weight is 9.14 pounds per square foot.
5. Door can be equipped with standard builders hardware, Customer to specify. Concealed hardware is not recommended for acoustical doors.
6. Frames equipped with masonry anchors must be grouted full in field. Bolt-in type frames must have all voids in head and jambs packed with 6 to 12 pound density mineral wool and all voids between wall and frame continuously caulked.
7. UL fire labels available in compliance with UL10C. Consult factory for specifics.
8. Door tested acoustically with 300 square inch vision light. Customer to specify size.
9. Unit tested as single door at Riverbank Acoustical Laboratories. Results are described in Test Report No. TL12-035 with sound transmission results as shown in the chart below.
10. Door construction is covered by US Patent No. 5,417,029.



HORIZONTAL SECTION



VERTICAL SECTION

SOUND TRANSMISSION LOSS IN dB AT FREQUENCY / HERTZ																	
100	125	160	200	250	315	400	500	630	800	1000	1250	1600	2000	2500	3150	4000	5000
30	27	33	32	39	44	44	45	46	48	50	51	53	54	53	52	52	53

ALL DIMENSIONS
 BOTH IN INCHES
 AND MILLIMETERS