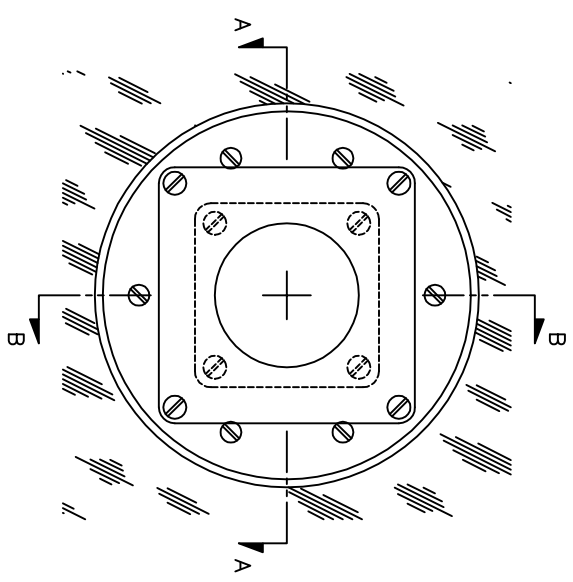
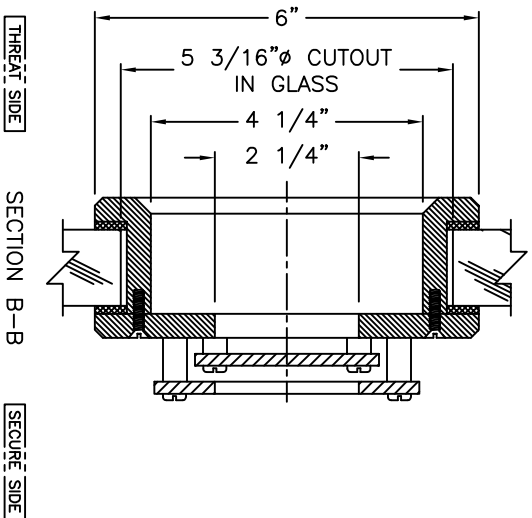


- NOTES:
- 1) MODEL VA VOICE APERTURES PROVIDE AN INEXPENSIVE, MAINTENANCE-FREE, NON-ELECTRIC METHOD OF VOICE TRANSMISSION THRU ARMORED VISION LITES
  - 2) UL LEVEL 1-8 B/R RATING
  - 3) BULLET RESISTANT ACCORDING TO UL752
  - 4) DIMENSIONS ARE IDENTICAL FOR ALL MODELS EXCEPT FOR "X", WHICH IS DETERMINED BY THE NOMINAL GLAZING THICKNESS WHICH IN TURN IS DEPENDENT UPON THE B/R RATING REQD
  - 5) LEVEL 1 (MPSA) GLASS SHOWN
- INSTALLATION:
- 1) DISASSEMBLE VOICE APERTURE INTO PARTS SHOWN IN DETAIL "A" ABOVE
  - 2) INSERT ONE GASKET ITEM "B" AGAINST THE FLANGE OF THE HOUSING, ITEM "A". INSERT BOTH INTO GLASS OPENING FROM THE EXTERIOR (THREAT SIDE)
  - 3) SLIP ON SECOND GASKET, ITEM "B" AND CONNECT SUBASSEMBLY "C" WITH FLATHEAD SCREWS "D" PROVIDED
  - 4) FASTEN INNER BAFFLE PLATE "E" WITH TRUSS HEAD SCREWS "F" PROVIDED



**NOTICE**

THIS DRAWING AND DESIGN ARE THE PROPERTY OF THE OVERLY DOOR COMPANY. THIS DRAWING IS LOANED TO YOU SUBJECT TO THE CONDITION THAT IT SHALL NOT BE REPRODUCED, COPIED, LOANED OR OTHERWISE DISPOSED OF DIRECTLY OR INDIRECTLY. IT SHALL NOT BE USED TO FURNISH ANY INFORMATION FOR THE MAKING OF DRAWINGS, PRINTS OR APPARATUS, OR PARTS THEREOF, EXCEPT WHERE OTHERWISE SPECIFICALLY PROVIDED FOR BY CONTRACT AGREEMENT WITH THE OVERLY DOOR COMPANY.

**Model VA Armored  
Voice Aperture**

<b>OVERLY DOOR COMPANY</b>		574 West Ottlemann Street Greensburg, PA 15601 Phone: 800-697-7300 Fax: 724-430-2871 Email: <a href="mailto:overly@overly.com">overly@overly.com</a>	
DO NOT SCALE DRAWING			
DRAWN BY/DATE:	JMC 2/10/2010		
CONTROL NUMBER:	DET-155		
FILENAME:	cut-va.dwg		