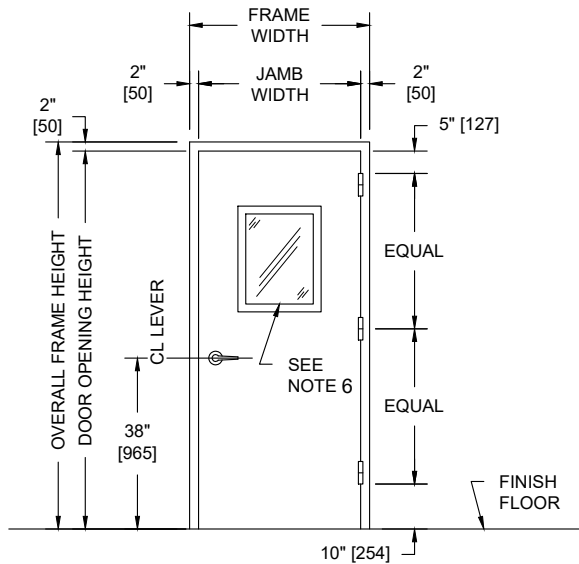
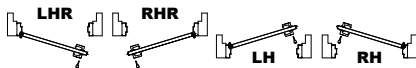


UL752 LEVEL 3, VISION LIGHT, NON-UL FIRE RATED SINGLE SWING METAL FRAME AND DOOR ASSEMBLY



PUBLIC SIDE ELEVATION
RIGHT HAND REVERSE BEVEL SHOWN

SECURED AREA (INTERIOR)



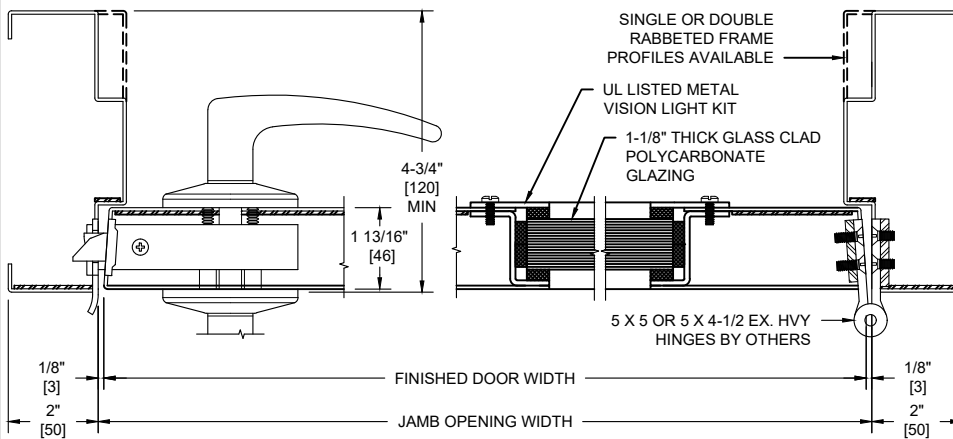
(KEY) SIDE

PUBLIC AREA (EXTERIOR)

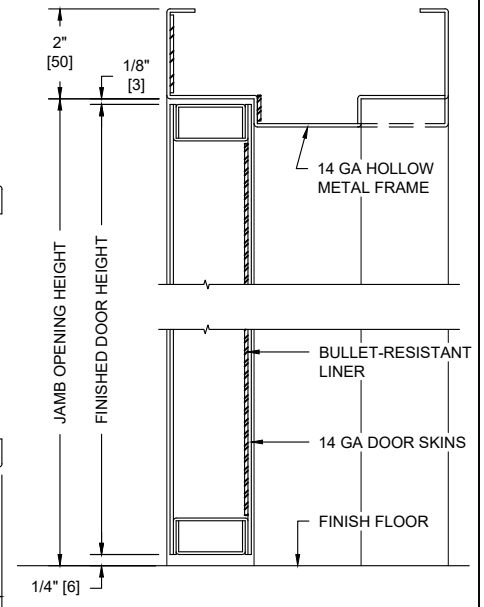
NOTES:

- Both door, frame and vision light kit UL listed for UL752, Level 3 bullet resistance.
- Door and Frames can be fabricated from carbon or galvanized steel. All exposed surfaces of frame to receive one coat of rust inhibitive prime paint.
- Maximum door leaf size is 4'-0" x 10'-0".
- Door weight is 11.9 pounds / sq. foot.
- Doors recommended to be hung on 5" heavy weight or continuous hinges. Locks required to be BHMA Grade 1, 2, or 3. Electrical hardware with raceways available. Consult factory for specifics.
- Doors equipped with UL Level 3, glass clad polycarbonate laminate with metal glazing system.

- 8" Minimum Stile
- 6" Minimum Top Rail
- 12" Minimum Bottom Rail



HORIZONTAL SECTION



VERTICAL SECTION

UL LEVEL	AMMUNITION	MINIMUM VELOCITY FPS/MP5	NUMBER OF SHOTS
3	.44 MAGNUM LEAD SEMI-WADCUTTER GAS CHECKED	1350 / 411	3