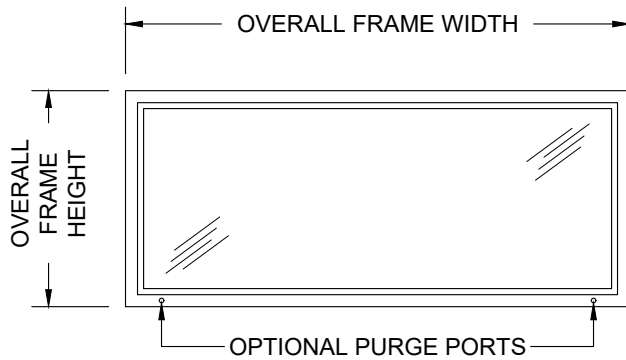


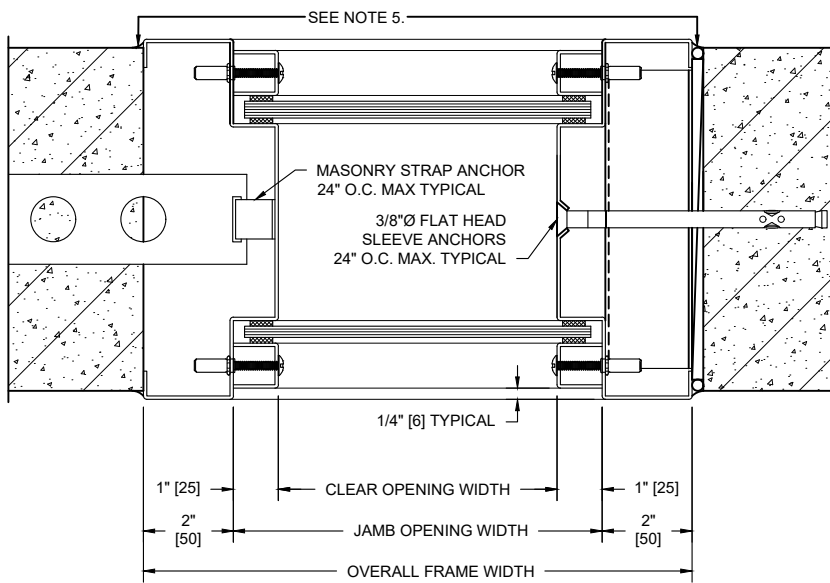
## MODEL NO. 5392274 / STC 53 / DUAL GLAZED / SOUND CONTROL FIXED WINDOW ASSEMBLY / NEOPRENE GLAZING



**ELEVATION**

**NOTES:**

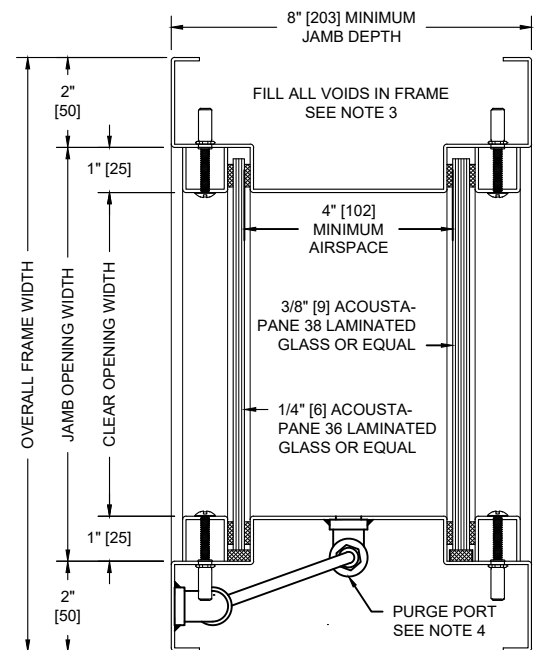
1. All exposed surfaces of frame to receive one coat of rust inhibitive prime paint.
2. Unit weight, including frame, glass, and glazing, is 10.6 pounds per square foot.
3. Frames equipped with masonry anchors must be grouted full in field. Bolt-in type frames must have all voids in head, jambs, and sill packed with 6 to 12 pound density mineral wool.
4. Unit may be provided with two (2) optional purge ports.
5. All voids between wall and frame must be continuously caulked
6. Unit can be UL Fire Labeled and remain acoustically certified when it is glazed with one pane of Acosta-Pane 36, 1/4" laminated glass and one pane of up to 5/16" thick UL listed glass such as FireLite brand Ceramic glass.



SHOWING BUILT-IN INSTALLATION IN MASONRY PARTITION

SHOWING BOLT-IN INSTALLATION IN MASONRY PARTITION

**HORIZONTAL SECTION**



**VERTICAL SECTION**

SOUND TRANSMISSION LOSS IN dB AT FREQUENCY / HERTZ																	
100	125	160	200	250	315	400	500	630	800	1000	1250	1600	2000	2500	3150	4000	5000
32	40	36	39	41	44	46	49	52	55	56	57	57	60	62	65	68	69

ALL DIMENSIONS BOTH IN INCHES AND MILLIMETERS