

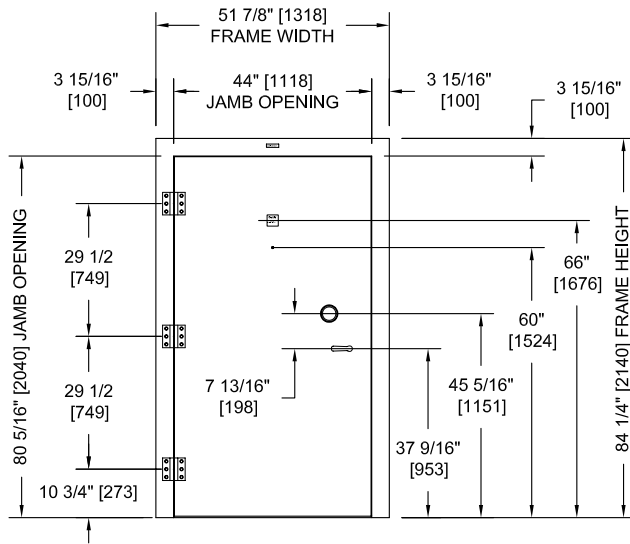
GSA

OVERLY

DOOR COMPANY

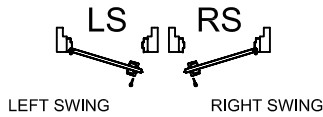
574 WEST OTTERMAN STREET
 POST OFFICE BOX 70
 GREENSBURG, PA 15601-0070
 TELEPHONE: 724-834-7300
 FAX: 724-830-2871

MODEL NO. C5V-IL-K / CLASS 5 VAULT DOOR AND FRAME ASSEMBLY TYPE IL, STYLE K, DESIGN S, LEFT SWING WITH OPTICAL DEVICE

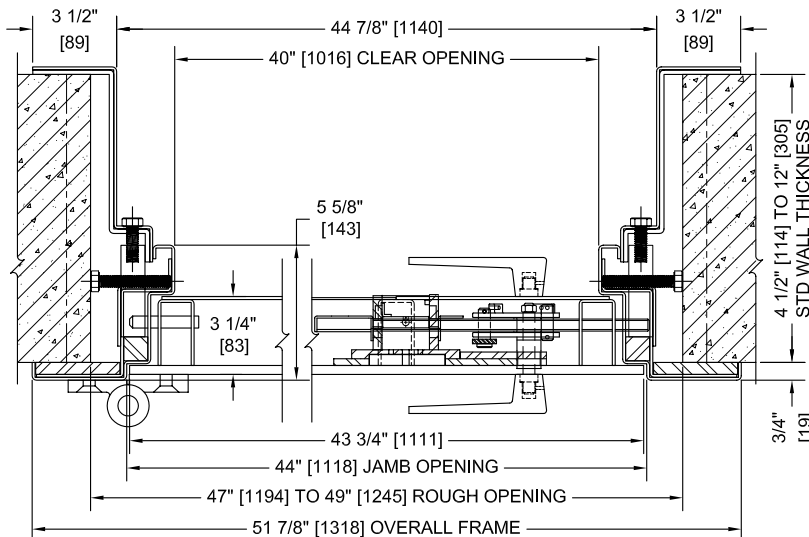


PUBLIC SIDE ELEVATION

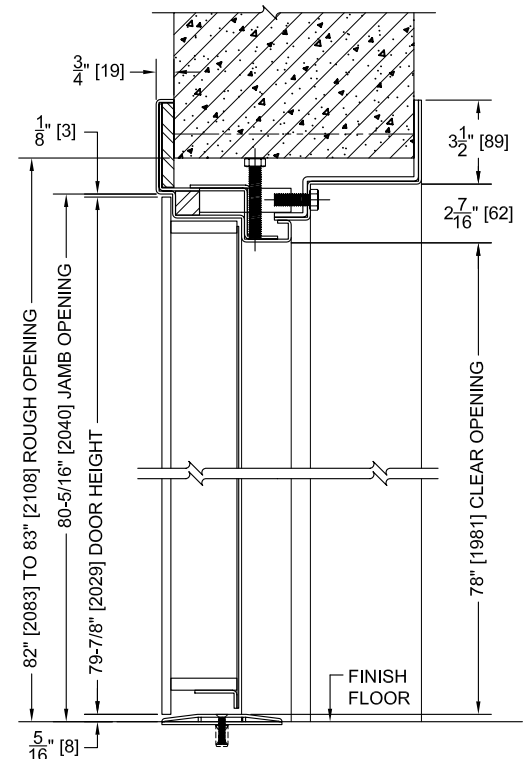
SECURE AREA (INTERIOR)



(KEY) SIDE PUBLIC AREA (EXTERIOR)



HORIZONTAL SECTION



VERTICAL SECTION

Overly's Class 5 Security Vault Doors have been tested and approved under upgraded federal specification AA-D-600D

Shipping Weight: 1,395 lb
 Net Weight: 1,225 lb

20	MAN-HOURS AGAINST SURREPTITIOUS ENTRY
30	MAN-MINUTES AGAINST COVERT ENTRY
10	MAN-MINUTES AGAINST FORCED ENTRY
20	MAN-HOURS AGAINST MANIPULATION OF LOCK
20	MAN-HOURS AGAINST RADIOLOGICAL ATTACK

INFORMATION WE NEED TO PROCESS YOUR ORDER

1. Contract or Purchase Order Number.
2. National Stock Number.
3. Wall Thickness.
4. Swing of Day Gate (if required).
5. Packing Level A or Level C. Level C Commercial Level is Standard.
 If Level A Military Export is Required, Please Specify.

STANDARD HARDWARE PACKAGE

- 1 Kaba-Mas X-10 Combination Lock
- 3 Overly P-800 Hinges
- 1 Optical Device (Peep Site)
- 1 Exterior Lever Handle