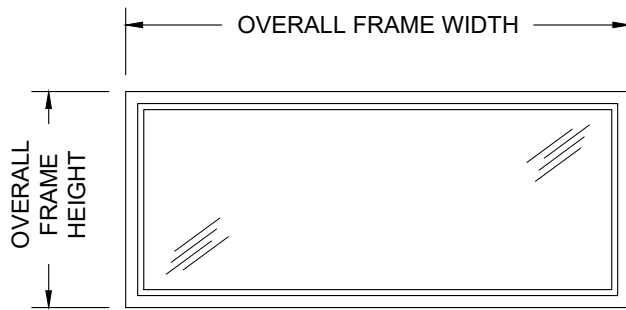


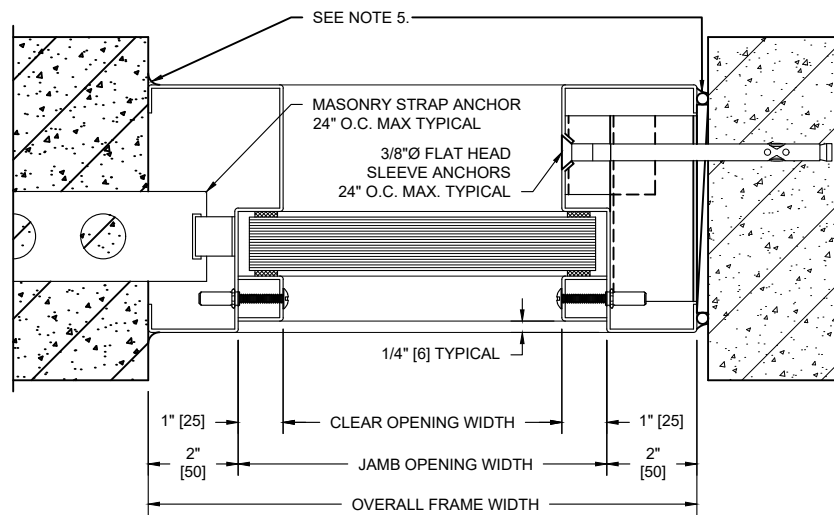
## MODEL NO. 429510 / STC 42 / SINGLE GLAZED UL LEVEL 1 BULLET-RESISTIVE SOUND CONTROL FIXED WINDOW ASSEMBLY / NEOPRENE GLAZING



**ELEVATION**

**NOTES:**

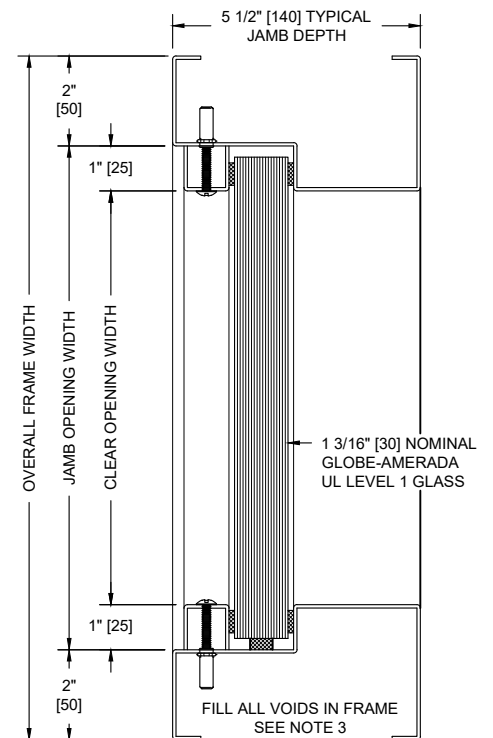
1. All exposed surfaces of frame to receive one coat of rust inhibitive prime paint.
2. Unit weight, including frame, glass, and glazing, is 20.5 pounds per square foot.
3. Frames equipped with masonry anchors must be grouted full in field. Bolt-in type frames must have all voids in head, jambs, and sill packed with 6 to 12 pound density mineral wool.
4. Unit is glazed with one piece 1 3/16" nominal Globe-Amerada UL Level 1 (MPSA) glass as tested to UL Standard for Safety 752.
5. All voids between wall and frame must be continuously caulked.



SHOWING BUILT-IN INSTALLATION IN MASONRY PARTITION

SHOWING BOLT-IN INSTALLATION IN MASONRY PARTITION

**HORIZONTAL SECTION**



**VERTICAL SECTION**

SOUND TRANSMISSION LOSS IN dB AT FREQUENCY / HERTZ																	
100	125	160	200	250	315	400	500	630	800	1000	1250	1600	2000	2500	3150	4000	5000
32	32	37	36	38	37	36	37	35	38	42	46	49	53	56	59	61	62

ALL DIMENSIONS BOTH IN INCHES AND MILLIMETERS