

SERIES

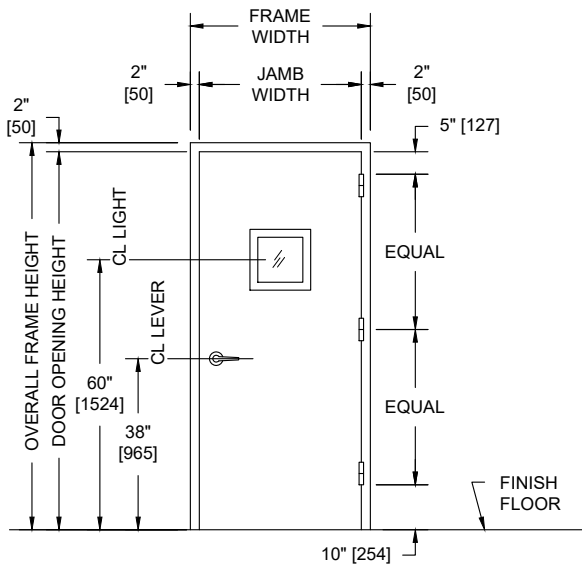
BLS

OVERLY

DOOR COMPANY

POST OFFICE BOX 70
 GREENSBURG, PA 15601-0070
 TELEPHONE: 724-834-7300
 FAX: 724-830-2871
 EMAIL: overly@overly.com

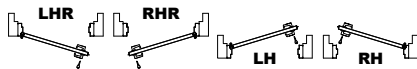
MODEL NO. VLRB-S / FIRE RATED / UP TO 1.54 PSI / BLAST RESISTANT DOOR AND FRAME ASSEMBLY / SINGLE SWING



PUBLIC SIDE ELEVATION

RIGHT HAND REVERSE BEVEL SHOWN
 SHOWN WITH 10" X 10" VISION LIGHT

SECURED AREA (INTERIOR)

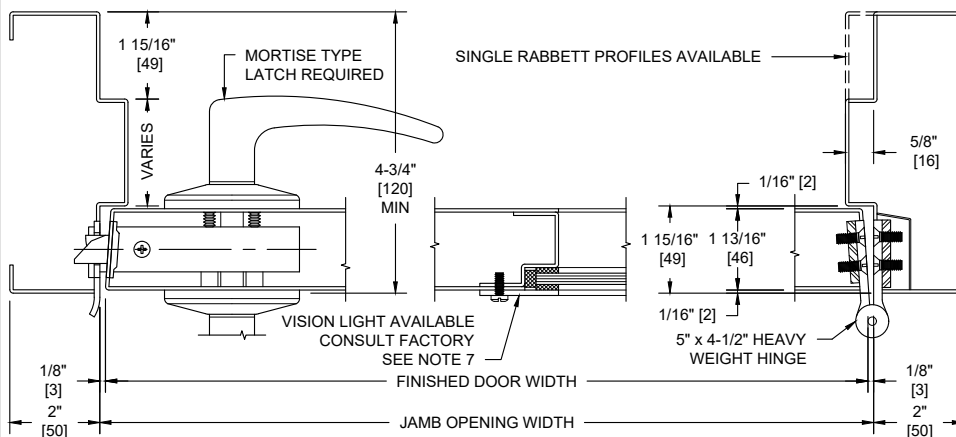


(KEY) SIDE

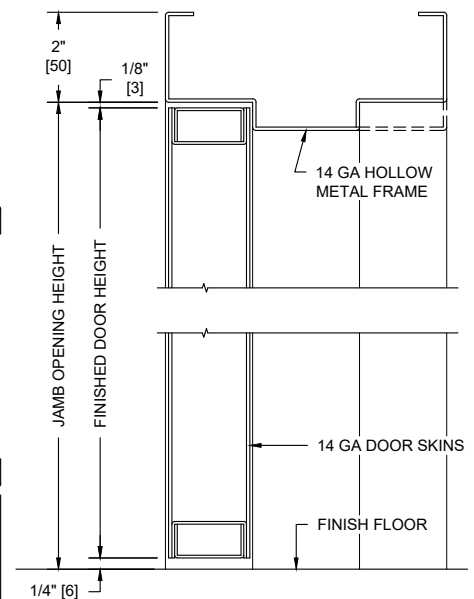
PUBLIC AREA (EXTERIOR)

NOTES:

1. A 3'-0" x 7'-0" opening can be designed to withstand up to 1.54 psi total static load. Certain hardware restrictions may apply. Final pressure rating will be determined by our Blast Engineering Department once entire product has been specified. See chart below.
2. All exposed surfaces of frame to receive one coat of rust inhibitive prime paint.
3. Door must be equipped with a mortise type lock set and 5" x 4-1/2" heavy weight hinges. Customer to specify. No surface mounted hardware for primary latching.
4. Units can bear up to a 3 hour UL10C fire label, provided UL requirements are met.
5. Various weather-stripping options are available.
6. Removable and fixed type transom configurations are available.
7. 10" x 10" and 5" x 20" vision lights (100 square inches) available. 3/8" laminated annealed glass if door is UL labeled, a dual glazed vision light, with laminated and fire rated glass, will be used.



HORIZONTAL SECTION



VERTICAL SECTION

PRE-ENGINEERED BLAST DOOR SELECTOR CHART

3'-0" x 7'-0"	3'-0" x 8'-0"	4'-0" x 7'-0"
1.54 psi [10.6 kPa]	1.06 psi [7.31 kPa]	0.54 psi [3.72 kPa]

ALL DIMENSIONS
 BOTH IN INCHES
 AND MILLIMETERS