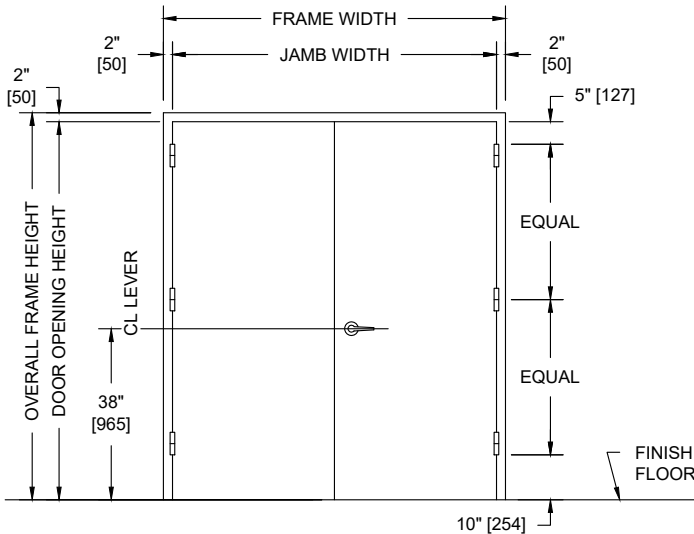
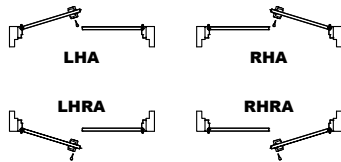


UL752 LEVEL 1, FLUSH, 20 MINUTE UL FIRE RATED PAIR WITH METAL FRAME AND WOOD DOOR ASSEMBLY



PUBLIC SIDE ELEVATION
RIGHT HAND REVERSE BEVEL SHOWN

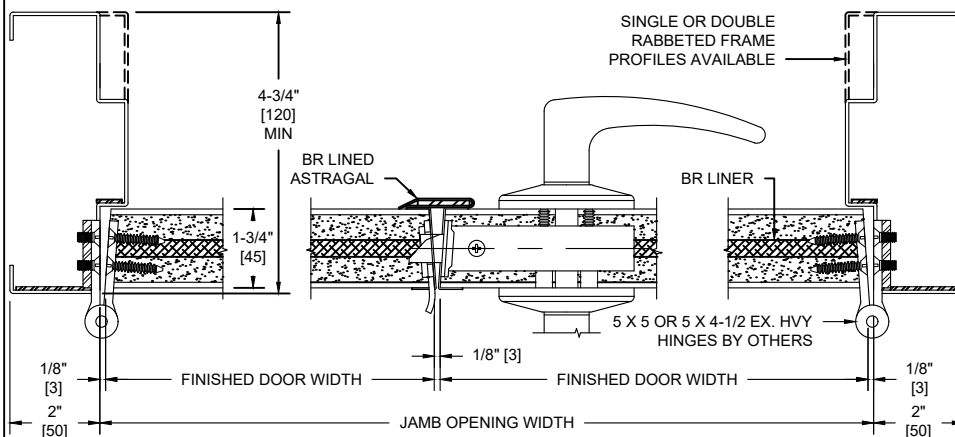
SECURE AREA (INTERIOR)



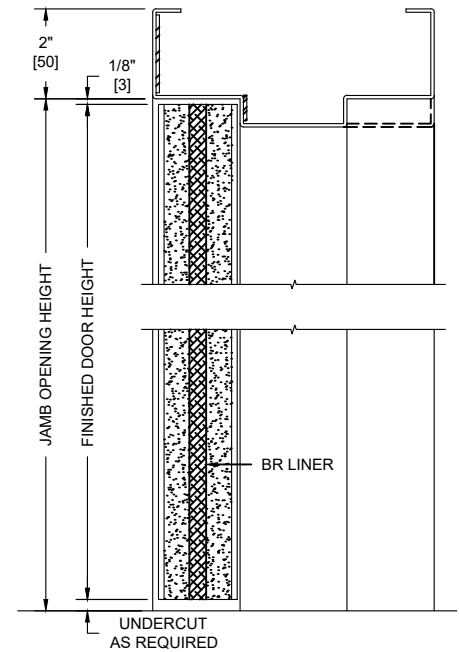
(KEY) SIDE
PUBLIC AREA (EXTERIOR)

NOTES:

- Both doors, frame and astragal UL listed for UL752, Level 1 bullet resistance.
- Doors are for interior use only.
- Doors hung in carbon steel frame. All exposed surfaces of frame to receive one coat of rust inhibitive prime paint.
- Units can be UL fire rated up to 20 minute in accordance with UL standard 10C.
- Maximum door leaf size is 4'-0" x 10'-0" for a 8'-0" x 10'-0" maximum opening size.
- Door weight is 10.1 pounds / sq. foot.
- Doors recommended to be hung on 5" heavy weight or continuous hinges. Locks required to be BHMA Grade 1, 2, or 3. Electrical hardware with raceways available. Consult factory for specifics.
- MDO and veneer faces available in unfinished, primed, clear, or custom stains. Plastic laminates also available.
- Pairs of UL 752 bullet resistant doors must be equipped with an overlapping astragal by Overly with same rating as door and frame.



HORIZONTAL SECTION



VERTICAL SECTION

UL LEVEL	AMMUNITION	MINIMUM VELOCITY FPS/MP5	NUMBER OF SHOTS
1	9mm FULL METAL COPPER JACKET WITH LEAD CORE	1175 / 358	3