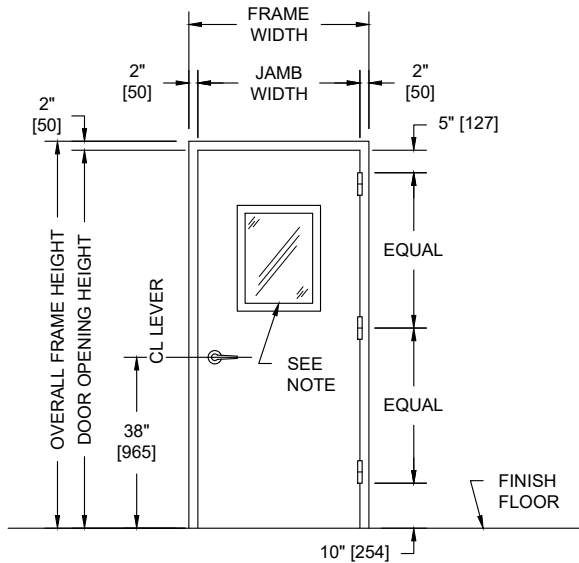


MODEL NO. 4525141 / NON-FIRE RATED / STC 45 / UL LEVEL 3 BULLET RESISTANT SINGLE GLAZED SOUND CONTROL DOOR AND FRAME ASSEMBLY / ENHANCED MAGNETIC GASKETS

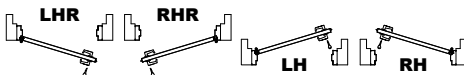


PUBLIC SIDE ELEVATION
RIGHT HAND REVERSE BEVEL SHOWN

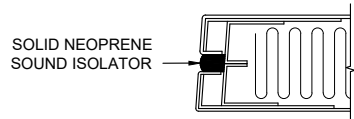
NOTES:

1. All exposed surfaces of door and frame to receive one coat of rust inhibitive prime paint.
2. Door bottom requires flush level sealing surface. Wood, aluminum, or stainless steel threshold recommended. Do not seal against carpet.
3. Frame is equipped with Overly enhanced magnetic seals at head and jambs. Door is equipped with an Overly Super "H" door bottom.
4. Door weight is 13.8 pounds per square foot.
5. Door can be equipped with standard builders hardware, Customer to specify. Concealed hardware is not recommended for acoustical doors.
6. Frames equipped with masonry anchors must be grouted full in field. Bolt-in type frames must have all voids in head and jambs packed with 6 to 12 pound density mineral wool and all voids between wall and frame continuously caulked.
7. UL fire labels are not available.
8. Door tested acoustically with 680 square inch UL level 3 vision light. Customer to specify size.
9. Unit tested as single door at Riverbank Acoustical Laboratories. Results are described in Test Report No. TL25-141 with sound transmission results as shown in chart below.
10. In addition to STC performance as indicated, this unit is also rated to UL level 3 bullet resistance per UL 752 standard.

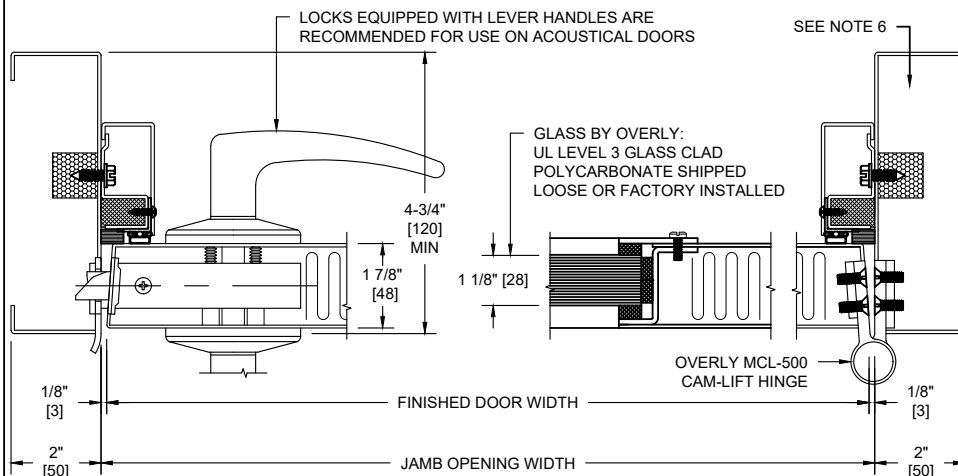
SECURED AREA (INTERIOR)



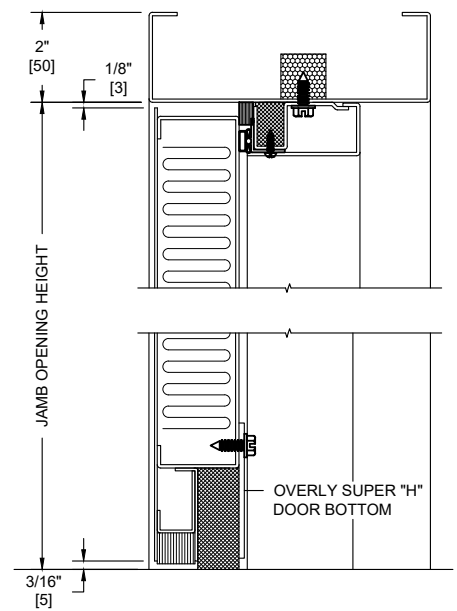
(KEY) SIDE PUBLIC AREA (EXTERIOR)



TYPICAL EDGE CONSTRUCTION
ABOVE AND BELOW LOCK AND HINGE CUTOUTS



HORIZONTAL SECTION



VERTICAL SECTION

SOUND TRANSMISSION LOSS IN dB AT FREQUENCY / HERTZ																	
100	125	160	200	250	315	400	500	630	800	1000	1250	1600	2000	2500	3150	4000	5000
34	34	36	37	37	43	43	43	43	42	40	43	47	50	52	52	52	52

ALL DIMENSIONS BOTH IN INCHES AND MILLIMETERS