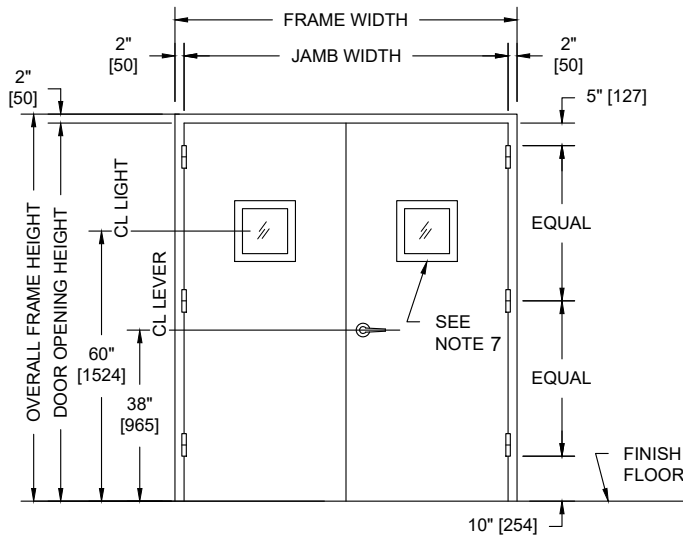


## UL752 LEVEL 3, VISION LIGHT, NON-UL FIRE RATED PAIR WITH METAL FRAME AND DOOR ASSEMBLY

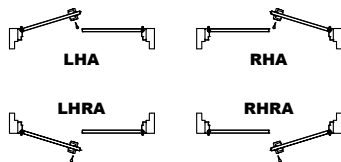


**PUBLIC SIDE ELEVATION**  
RIGHT HAND REVERSE BEVEL SHOWN

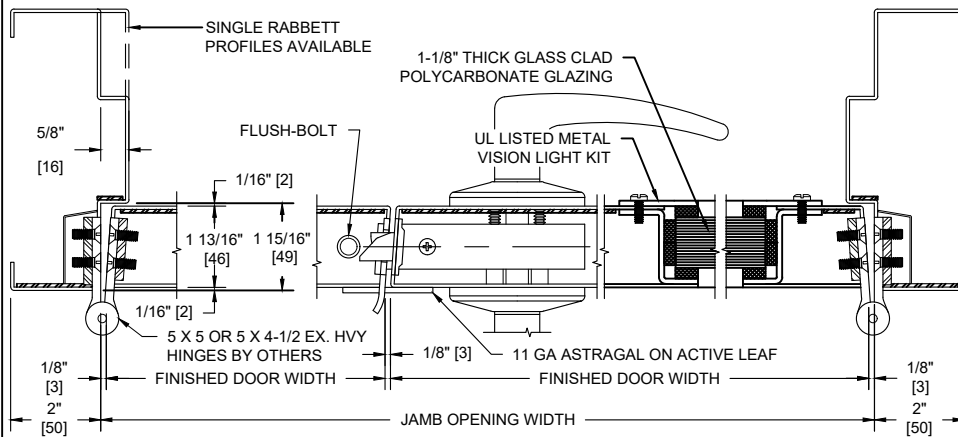
**NOTES:**

- Both doors, frame, astragal and vision light kits UL listed for UL752, Level 3 bullet resistance.
- Door and Frames can be fabricated from carbon or galvanized steel. All exposed surfaces of frame to receive one coat of rust inhibitive prime paint.
- Maximum door leaf size is 4'-0" x 10'-0" for a 8'-0" x 10'-0" maximum opening size.
- Door weight is 11.9 pounds / sq. foot.
- Doors recommended to be hung on 5" heavy weight or continuous hinges. Locks required to be BHMA Grade 1, 2, or 3. Electrical hardware with raceways available. Consult factory for specifics.
- Pairs of UL 752 bullet resistant doors must be equipped with an overlapping astragal by Overly with same rating as door and frame.
- Doors equipped with UL Level 3, glass clad polycarbonate laminate with metal glazing system.
  - 8" Minimum Stile
  - 6" Minimum Top Rail
  - 12" Minimum Bottom Rail

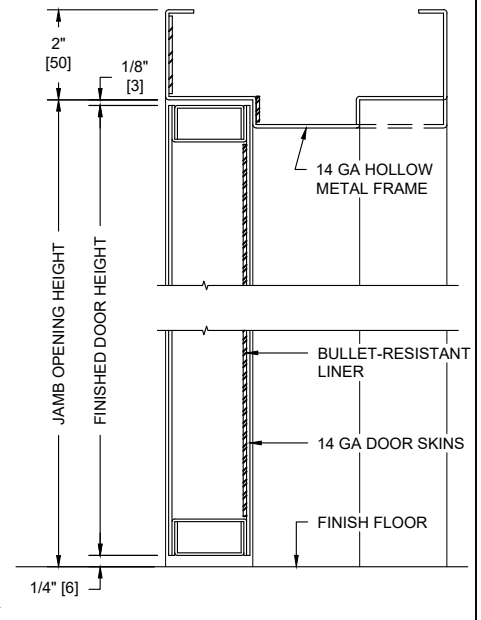
**SECURE AREA (INTERIOR)**



(KEY) SIDE  
**PUBLIC AREA (EXTERIOR)**



**HORIZONTAL SECTION**



**VERTICAL SECTION**

UL LEVEL	AMMUNITION	MINIMUM VELOCITY FPS/MP5	NUMBER OF SHOTS
3	.44 MAGNUM LEAD SEMI-WADCUTTER GAS CHECKED	1350 / 411	3