

SERIES

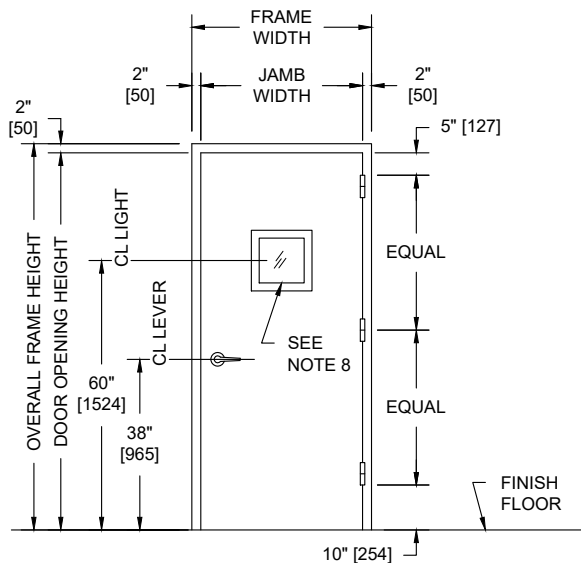
SCW

OVERLY

DOOR COMPANY

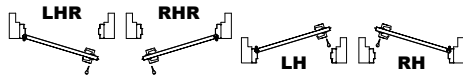
574 WEST OTTERMAN STREET
 POST OFFICE BOX 70
 GREENSBURG, PA 15601-0070
 TELEPHONE: 724-834-7300
 FAX: 724-830-2871

MODEL NO. 4312010 / FIRE RATED / STC 43 / E90-09 / WOOD / SOUND CONTROL DOOR AND FRAME ASSEMBLY / DOUBLE BUBBLE SEALS



PUBLIC SIDE ELEVATION
 RIGHT HAND REVERSE BEVEL SHOWN
 SHOWN WITH 10" X 10" VISION LIGHT

SECURED AREA (INTERIOR)

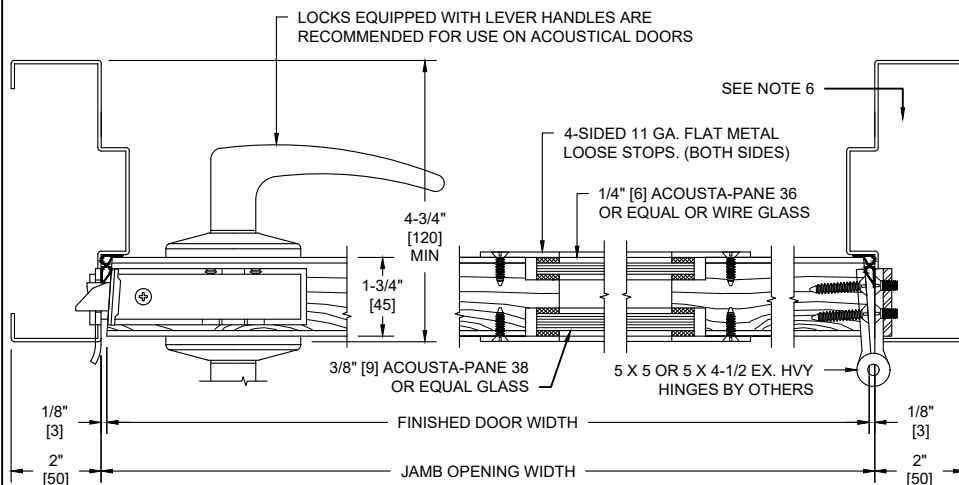


(KEY) SIDE

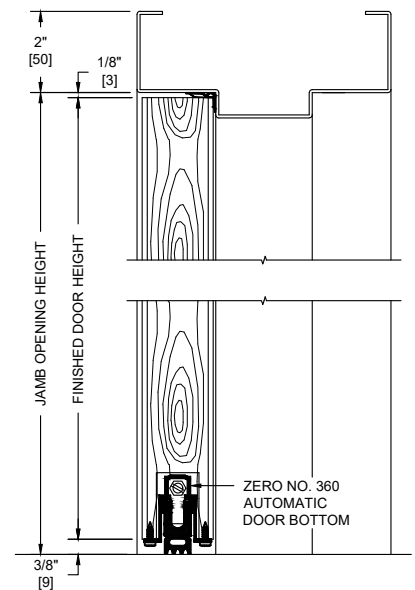
PUBLIC AREA (EXTERIOR)

NOTES:

- All exposed surfaces of frame to receive one coat of rust inhibitive prime paint.
- Door bottom requires a flush level sealing surface. Wood, aluminum, or stainless steel thresholds are recommended. Do not seal against carpet.
- Frame is equipped with double bubble seals at head and jambs.
- Door weight is 9.2 pounds per square foot.
- Door can be equipped with standard builders hardware, Customer to specify. No concealed or electrically operated hardware is permitted.
- Frames equipped with masonry anchors must be grouted full in field. Bolt-in type frames must have all voids in head and jambs packed with 6 to 12 pound density mineral wool and all voids between wall and frame continuously caulked.
- Wood species, cut and finish to be determined by the Architect.
- Unit tested as single door with a 100 sq. in. metal dual glazed vision light system at Riverbank Acoustical Laboratories. Results are described in Test Report No. TL12-010 with sound transmission results as shown in chart below.
- Maximum leaf size 4' x 10' available. Up to 4' x 8' single swing units can bear up to 45 min UL 10C fire label with up to 1,296 sq. in. vision light. Doors swinging in pairs cannot be fire labeled unless provided with a mullion.
- Door construction is covered by US Patent No. 6,112,496.



HORIZONTAL SECTION



VERTICAL SECTION

SOUND TRANSMISSION LOSS IN dB AT FREQUENCY / HERTZ																	
100	125	160	200	250	315	400	500	630	800	1000	1250	1600	2000	2500	3150	4000	5000
32	29	33	29	30	32	39	43	44	44	45	45	46	47	46	46	47	49

ALL DIMENSIONS
 BOTH IN INCHES
 AND MILLIMETERS