

# SERIES

# BRM

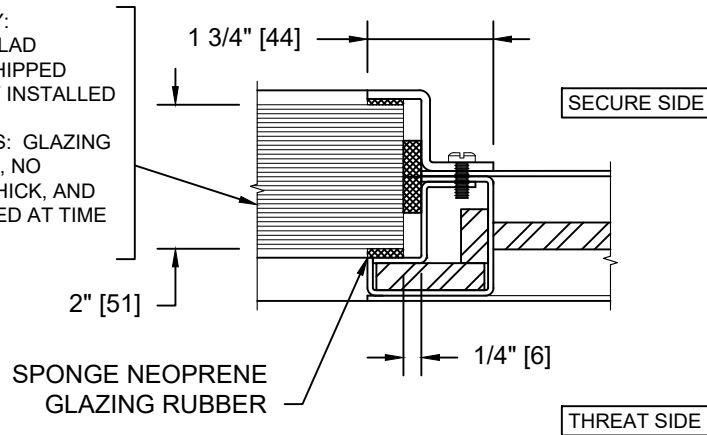


574 WEST OTTERMAN STREET  
 POST OFFICE BOX 70  
 GREENSBURG, PA 15601-0070  
 TELEPHONE: 724-834-7300  
 FAX: 724-830-2871

## UL LEVEL 8 METAL BULLET RESISTANT GLAZING AND ASTRAGAL SYSTEMS

IF GLASS BY OVERLY:  
 UL LEVEL 8 GLASS CLAD  
 POLYCARBONATE SHIPPED  
 LOOSE OR FACTORY INSTALLED

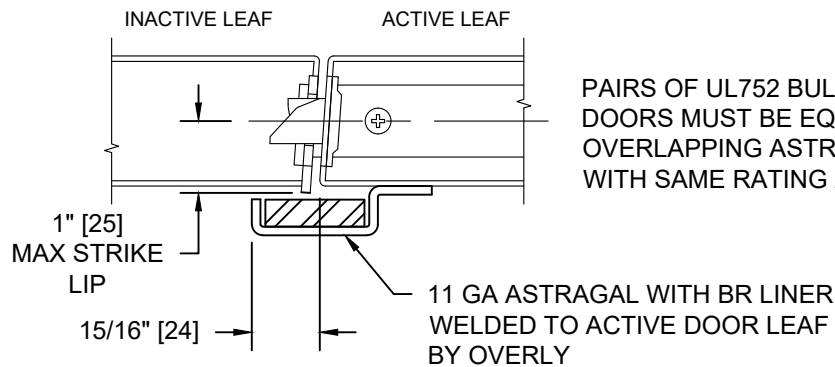
IF GLASS BY OTHERS: GLAZING  
 MUST BE UL LEVEL 8, NO  
 GREATER THAN 2" THICK, AND  
 THICKNESS SPECIFIED AT TIME  
 OF ORDER



### UL LEVEL 8 GLAZING REQUIREMENTS

SECURE SIDE

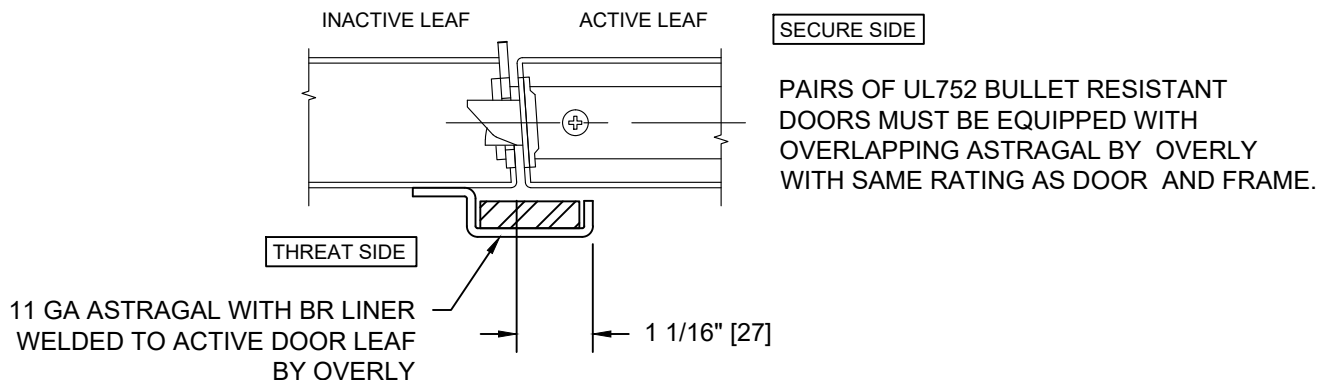
THREAT SIDE



### UL LEVEL 8 ASTRAGAL DETAIL REVERSE BEVEL SWING

SECURE SIDE

THREAT SIDE



### UL LEVEL 8 ASTRAGAL DETAIL REGULAR SWING