

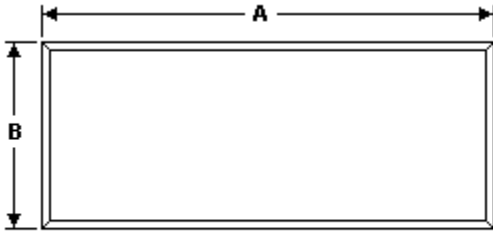
OVERLY

DOOR COMPANY

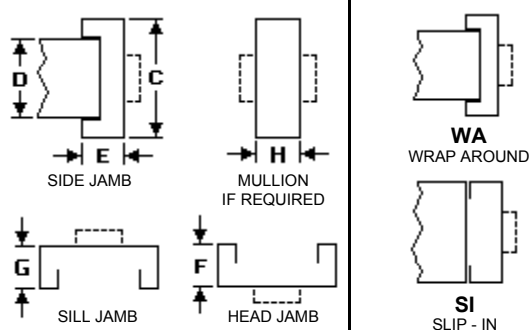
574 WEST OTTERMAN STREET
 GREENSBURG, PA 15601-0070
 TELEPHONE: (724) 834-7300
 FAX: (724) 830-2871

ACOUSTICAL METAL WINDOW DATA SHEET

CUSTOMER: _____ APPROVED BY: _____
 JOB: _____ DATE: _____
 LOCATION: _____ SALES ORDER: _____ ITEM: _____
 CUSTOMER PO: _____ MARK NUMBER 1: _____ ADDITIONAL MARKS: _____

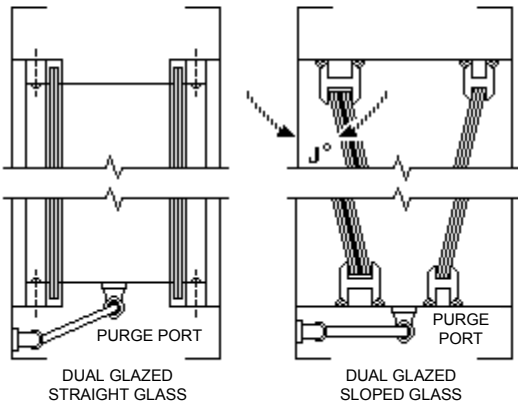
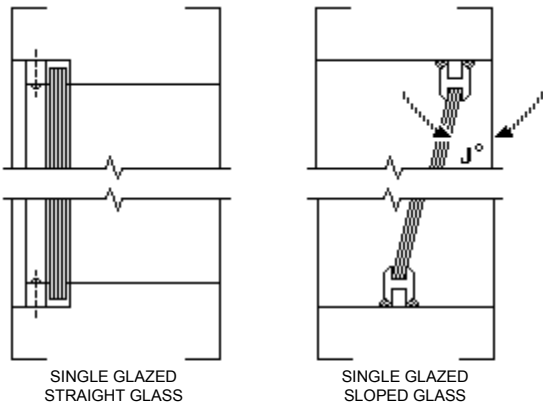


ELEVATION



FRAME PROFILE

FRAME CONFIGURATION



WINDOW INFORMATION

MODEL NUMBER: _____
 MATERIAL: _____
 PRIMER: _____
 REQUESTED STC: _____

FIRE RATING*

UL LABEL: 3/4 HOUR No Label

* MAXIMUM LIGHT SIZES WITH UL:
 -Wire Glass - 1296 in² per lite

* NOTE:
 -Larger sizes are available with the use of Firelite glass.

-Maximum UL listed sizes apply, please contact the factory.

MULLION INFORMATION

VERTICAL MULLION REQUIRED?: YES NO
 IF YES, SPECIFY QUANTITY: _____
 HORIZONTAL MULLION REQUIRED?: YES NO
 IF YES, SPECIFY QUANTITY: _____
 (H) MULLION TRIM SIZE: _____"

GLASS INFORMATION

GLASS PROVIDED BY: OVERLY OTHERS

NOTE: If glass is provided by others, Overly must specify the size and configuration in order to meet the STC rating.

IS THE GLASS SLOPED?: YES NO

(J) IF YES, SPECIFY DEGREE: _____

PURGE PORTS REQUIRED?: YES NO

FRAME INFORMATION

FRAME CONFIGURATION: _____

FRAME ANCHORAGE: _____

(A) OVERALL FRAME WIDTH: _____"

(B) OVERALL FRAME HEIGHT: _____"

(C) JAMB DEPTH: _____"

(D) WALL THICKNESS: _____"

(E) JAMB TRIM: _____"

(F) HEAD TRIM: _____"

(G) SILL TRIM: _____"

ROUGH OPENING: _____"

WALL TYPE:

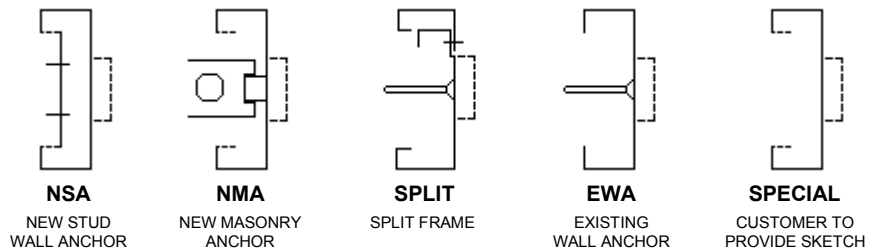
METAL STUD * WOOD STUD
 MASONRY/CMU CHANNEL/TUBE STEEL

*SPLIT AND EWA ONLY: Wood blocking must be placed behind metal studs.

NOTES:

PLEASE NOTE:

FRAME AND GLASS SIZES ARE SHOWN IN A GENERAL CONFIGURATION. ACTUAL FRAME AND GLASS SIZES DEPEND ON THE STC RATING AND MODEL.



FRAME ANCHORAGE