

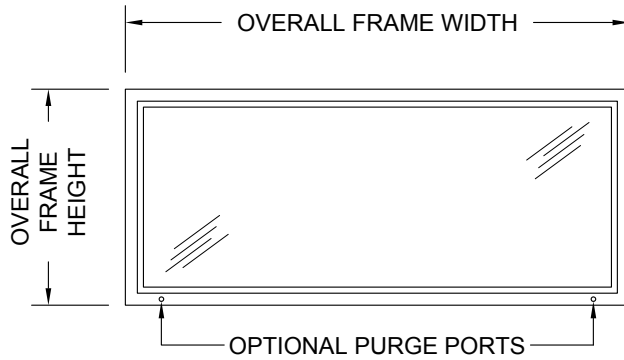
SERIES

SC

OVERLY
DOOR COMPANY

574 WEST OTTERMAN STREET
POST OFFICE BOX 70
GREENSBURG, PA 15601-0070
TELEPHONE: 724-834-7300
FAX: 724-830-2871

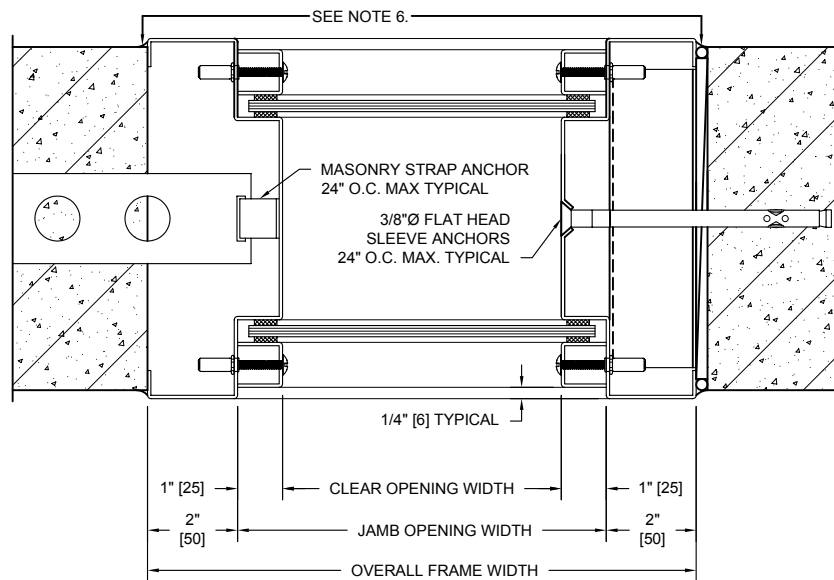
MODEL NO. 5292272 / STC 52 / DUAL GLAZED / SOUND CONTROL FIXED WINDOW ASSEMBLY / NEOPRENE GLAZING



ELEVATION

NOTES:

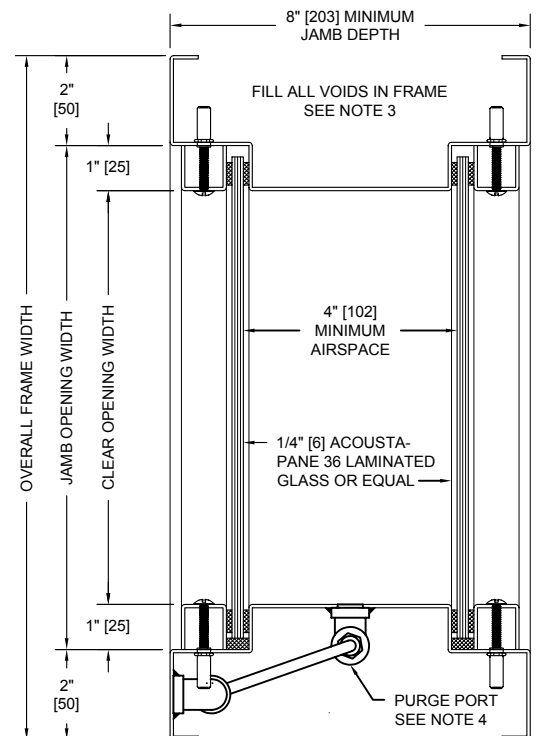
1. All exposed surfaces of frame to receive one coat of rust inhibitive prime paint.
2. Unit weight, including frame, glass, and glazing, is 12.5 pounds per square foot.
3. Frames equipped with masonry anchors must be grouted full in field. Bolt-in type frames must have all voids in head, jambs, and sill packed with 6 to 12 pound density mineral wool.
4. Unit may be provided with two (2) optional purge ports.
5. Unit can bear a 3/4 hour UL10B or UL10C fire label when glazed with one (1) piece of 1/4" thick wire glass or 3/16" thick Firelight glass in tandem with one (1) piece of 1/4" thick laminated glass.
6. All voids between wall and frame must be continuously caulked



SHOWING BUILT-IN INSTALLATION
IN MASONRY PARTITION

SHOWING BOLT-IN INSTALLATION
IN MASONRY PARTITION

HORIZONTAL SECTION



VERTICAL SECTION

SOUND TRANSMISSION LOSS IN dB AT FREQUENCY / HERTZ																	
100	125	160	200	250	315	400	500	630	800	1000	1250	1600	2000	2500	3150	4000	5000
28	37	32	37	39	43	46	50	52	55	56	58	60	61	61	63	66	68

ALL DIMENSIONS
BOTH IN INCHES
AND MILLIMETERS