

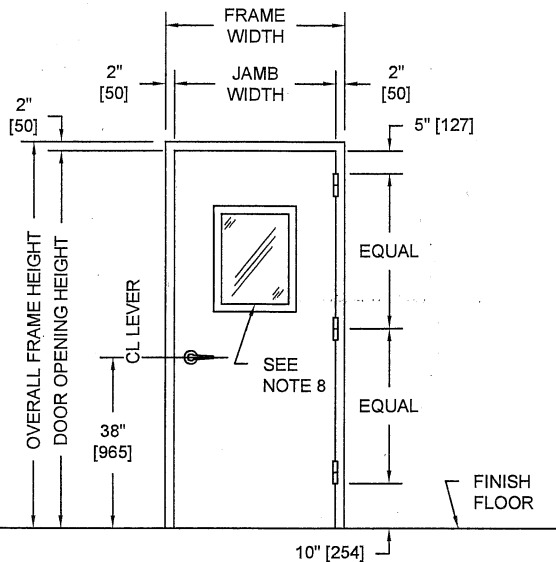
# SERIES

# SC

# OVERLY DOOR COMPANY

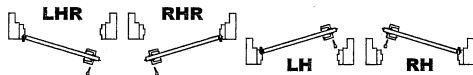
574 WEST OTTERMAN STREET  
POST OFFICE BOX 70  
GREENSBURG, PA 15601-0070  
TELEPHONE: 724-834-7300  
FAX: 724-830-2871

## MODEL NO. 4812035 / UL FIRE RATED / STC 48 / E90-09 / DUAL GLAZED SOUND CONTROL DOOR AND FRAME ASSEMBLY / SINGLE COMPRESSION SEALS



**PUBLIC SIDE ELEVATION**  
RIGHT HAND REVERSE BEVEL SHOWN

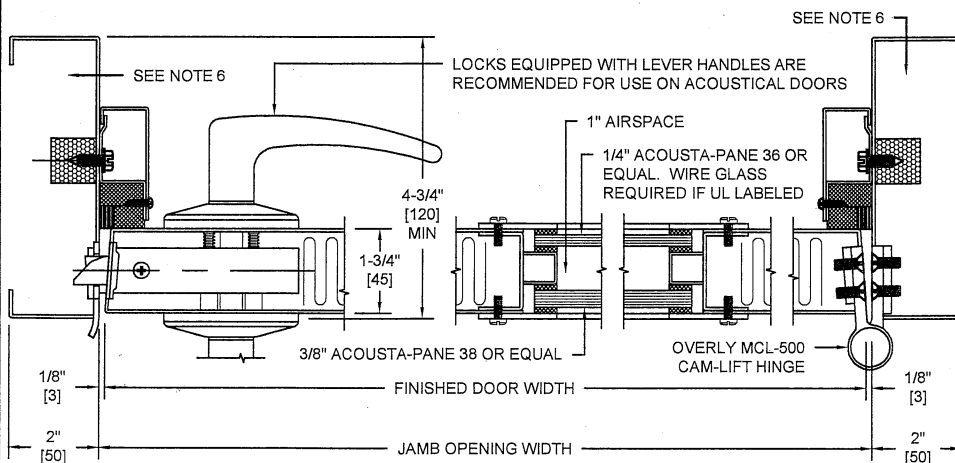
### SECURED AREA (INTERIOR)



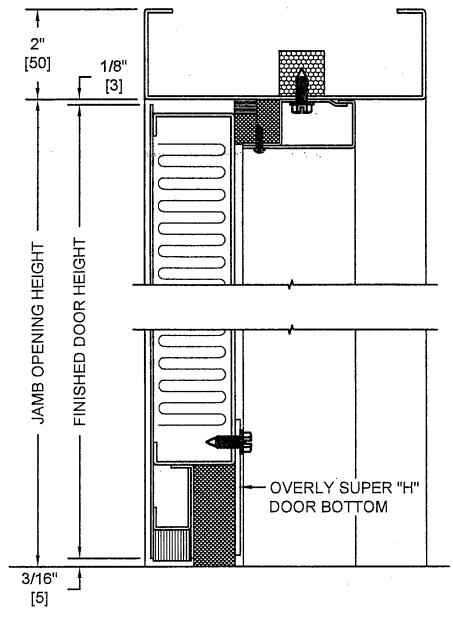
(KEY) SIDE  
**PUBLIC AREA (EXTERIOR)**

### NOTES:

1. All exposed surfaces of door and frame to receive one coat of rust inhibitive prime paint.
2. Door bottom requires flush level sealing surface. Wood, aluminum, or stainless steel threshold recommended. Do not seal against carpet.
3. Frame is equipped with Overly Single "H" compression seals at head and jambs. Door is equipped with an Overly Super "H" door bottom.
4. Door weight is 9.14 pounds per square foot.
5. Door can be equipped with standard builders hardware, Customer to specify. Concealed hardware is not recommended for acoustical doors.
6. Frames equipped with masonry anchors must be grouted full in field. Bolt-in type frames must have all voids in head and jambs packed with 6 to 12 pound density mineral wool and all voids between wall and frame continuously caulked.
7. UL fire labels available in compliance with UL10B and UL10C/UBC7-2. Consult factory for specifics.
8. Door tested acoustically with 300 square inch vision light. Customer to specify size.
9. Unit tested as single door at Riverbank Acoustical Laboratories. Results are described in Test Report No. TL12-035 with sound transmission results as shown in the chart below.
10. Door construction is covered by US Patent No. 5,417,029.



**HORIZONTAL SECTION**



**VERTICAL SECTION**

| SOUND TRANSMISSION LOSS IN dB AT FREQUENCY / HERTZ |     |     |     |     |     |     |     |     |     |      |      |      |      |      |      |      |      |
|----------------------------------------------------|-----|-----|-----|-----|-----|-----|-----|-----|-----|------|------|------|------|------|------|------|------|
| 100                                                | 125 | 160 | 200 | 250 | 315 | 400 | 500 | 630 | 800 | 1000 | 1250 | 1600 | 2000 | 2500 | 3150 | 4000 | 5000 |
| 30                                                 | 27  | 33  | 32  | 39  | 44  | 44  | 45  | 46  | 48  | 50   | 51   | 53   | 54   | 53   | 52   | 52   | 53   |

ALL DIMENSIONS  
BOTH IN INCHES  
AND MILLIMETERS