

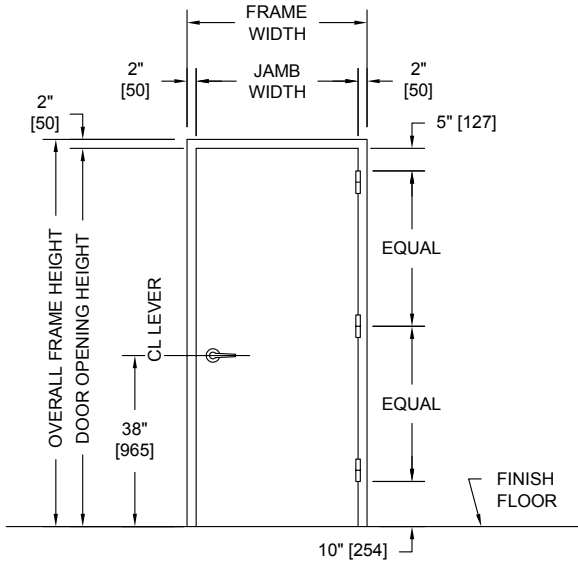
# SERIES

# SCW



574 WEST OTTERMAN STREET  
 POST OFFICE BOX 70  
 GREENSBURG, PA 15601-0070  
 TELEPHONE: 724-834-7300  
 FAX: 724-830-2871

## MODEL NO. 4696241 / FIRE RATED / STC 46 / WOOD / SOUND CONTROL DOOR AND FRAME ASSEMBLY / DOUBLE BUBBLE SEALS

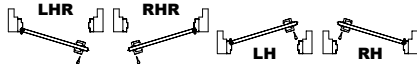


**PUBLIC SIDE ELEVATION**  
 RIGHT HAND REVERSE BEVEL SHOWN

**NOTES:**

1. All exposed surfaces of frame to receive one coat of rust inhibitive prime paint.
2. A Zero no. 627A threshold is required for sealing bottom of door. Do not mount threshold over carpet.
3. Frame is equipped with double bubble seals at head and jambs.
4. Door weight is 7.9 pounds per square foot.
5. Door can be equipped with standard builders hardware, Customer to specify. No concealed hardware is permitted.
6. Frames equipped with masonry anchors must be grouted full in field. Bolt-in type frames must have all voids in head and jambs packed with 6 to 12 pound density mineral wool and all voids between wall and frame continuously caulked.
7. Wood species, cut and finish to be determined by the Architect.
8. Unit tested as single door at Riverbank Acoustical Laboratories. Results are described in Test Report No. TL97-19 with sound transmission results as shown in chart below.
9. Up to 4' x 8' single swing units can bear up to a 45 min UL10B or UL10C/UBC7-2 fire label. Doors swinging in pairs cannot be UL fire labeled unless provided with a mullion.
10. Door construction is covered by US Patent No. 6,112,496.

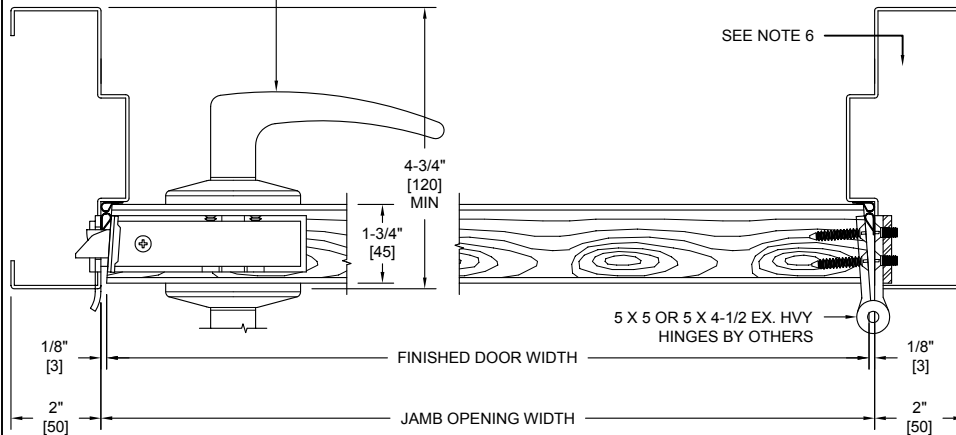
**SECURED AREA (INTERIOR)**



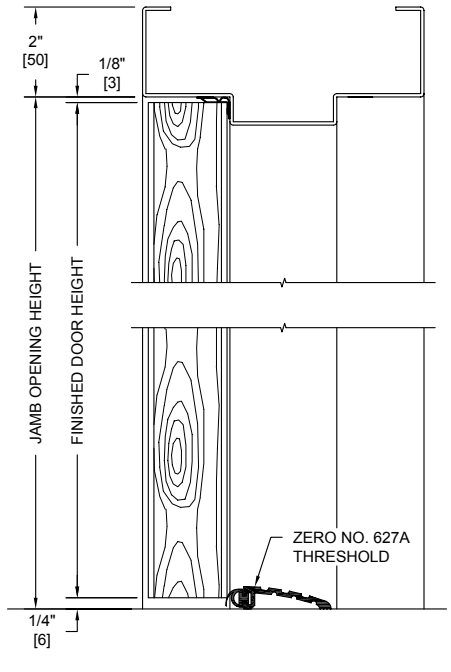
**(KEY) SIDE**

**PUBLIC AREA (EXTERIOR)**

LOCKS EQUIPPED WITH LEVER HANDLES ARE RECOMMENDED FOR USE ON ACOUSTICAL DOORS



**HORIZONTAL SECTION**



**VERTICAL SECTION**

SOUND TRANSMISSION LOSS IN dB AT FREQUENCY / HERTZ																	
100	125	160	200	250	315	400	500	630	800	1000	1250	1600	2000	2500	3150	4000	5000
25	25	30	33	36	41	40	42	47	47	48	49	50	50	50	51	52	55

ALL DIMENSIONS BOTH IN INCHES AND MILLIMETERS