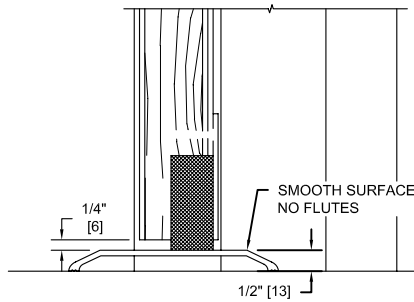
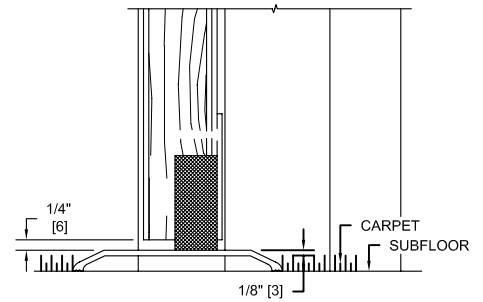


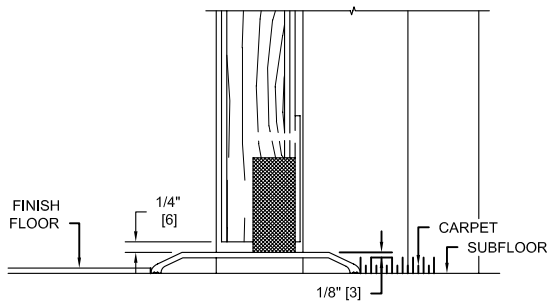
SHOWING SUPER "H" DOOR BOTTOM
WITH SMOOTH FINISHED FLOOR
CONDITION



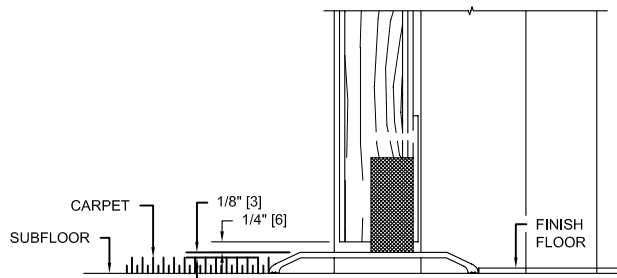
SHOWING SUPER "H" DOOR BOTTOM
WITH ALUMINUM THRESHOLD



SHOWING SUPER "H" DOOR BOTTOM
WITH ALUMINUM THRESHOLD
CARPET BOTH SIDES



SHOWING SUPER "H" DOOR BOTTOM
WITH ALUMINUM THRESHOLD
CARPET STOP SIDE



SHOWING SUPER "H" DOOR BOTTOM
WITH ALUMINUM THRESHOLD
CARPET HINGE SIDE

NOTICE

THIS DRAWING AND DESIGN ARE THE PROPERTY OF THE OVERLY DOOR COMPANY. THIS DRAWING IS LOANED TO YOU SUBJECT TO THE CONDITION THAT IT SHALL NOT BE REPRODUCED, COPIED, LOANED OR OTHERWISE DISPOSED OF DIRECTLY OR INDIRECTLY. IT SHALL NOT BE USED TO FURNISH ANY INFORMATION FOR THE MAKING OF DRAWINGS, PRINTS OR APPARATUS, OR PARTS THEREOF, EXCEPT WHERE OTHERWISE SPECIFICALLY PROVIDED FOR BY CONTRACT AGREEMENT WITH THE OVERLY DOOR COMPANY.

**1-3/4" Thick Wood Doors with
Super "H" Door Bottom**



574 West Otterman Street
Greensburg, PA 15601
Phone: 800-979-7300
Fax: 724-830-2871
Email: overly@overly.com

DO NOT SCALE DRAWING

DRAWN BY/DATE: JMC 10/25/2005

CONTROL NUMBER: DET-190

FILENAME: acs-wood-superH-sills.dwg