

# Quick Ship Acoustical Metal Door Order Sheet

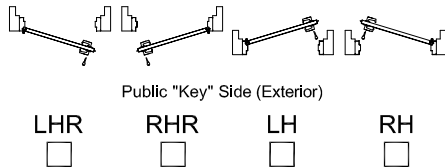


574 West Otterman Street ■ Greensburg, PA 15601  
 Phone: 800-979-7300 ■ Fax: 724-830-2871  
 Email: overly@overly.com

Customer: \_\_\_\_\_ Approved By: \_\_\_\_\_  
 Job Name: \_\_\_\_\_ Date: \_\_\_\_\_  
 Location: \_\_\_\_\_ Overly SO#: \_\_\_\_\_  
 Customer PO: \_\_\_\_\_ Overly JO#: \_\_\_\_\_  
 Mark #'s: \_\_\_\_\_

### Swing Chart

Secure Side (Interior)



Receipt of Purchase Order to Shipment:  10 Day  15 Day  20 Day

### Available Hardware Preps:

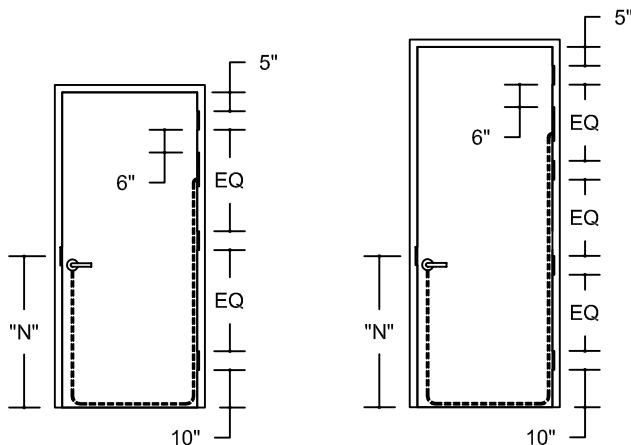
- Government 161 Cylindrical Lock (3-3/4" Backset)
- ANSI 86 Mortise Lock\*
- ANSI 86 Mortise Panic\*
- Rim Panic\*
- LKM 7000\*
- CDX-09 Auxillary Lock\*

### "N"

- 40-5/16" CL Strike
- 40-5/16" CL Strike
- 40-5/16" CL Strike (Per Template)
- 40-5/16" CL Strike (Per Template)
- 48" CL Spin Dial

\*Note: All Function Holes Drilled In Field By Installer

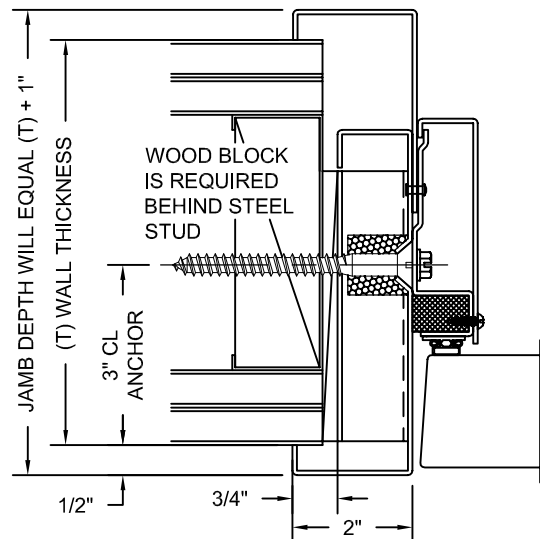
### Available Jamb Opening Sizes:



- 36" X 84"
- 48" X 84"

- 36" X 96"
- 48" X 96"

### Frame Information:



Steel/Wood Stud Shown; Masonry Available Also

### Rough Opening Calculation

Width = JOW + 3"                      Height = JOH + 1-1/2"

### Optional Positive Pressure Fire Ratings:

- Not Labeled                       45 Minutes
- 1-1/2 Hours                       20 Minutes\*\*

\*\*Note: 20 Minute Maximum For CDX-09 / 90 Minute Maximum For LKM-7000 Unless Approved By Local Jurisdiction Having Authority

### Available Frame Anchors

- 3/8"Ø Masonry Expansion Anchors
- #24 Wood Stud Screw Anchors

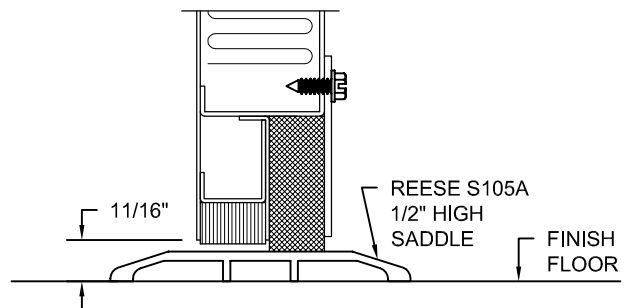
### Wall Thickness

(T): \_\_\_\_\_  
 Note Minimum (T): 4-7/8"  
 Note Maximum (T): 11"

### Standard Features:

- STC 50 Flush Door (No Vision Light)
- Overly Model STC509589
- Carbon Steel With Overly Standard Prime Finish
- MCL-500 Cam-Lift Hinges, As Cast
- Single Magnetic Frame Gaskets
- Super "H" Compression Door Bottom
- Reese S105A 1/2" High Threshold
- 2-Piece Clamp-On Split Frame
- Von Duprin EPT Prep With Filler Plate When Not Required
- Conduit From EPT To Lock Mounting Box
- Bolt-In Frame Anchorage For Masonry or Drywall
- Surface Mounted Closer Reinforcement & Mounting Brackets
- 4-7/8" ASA Strike Preparation For Cylindrical, Mortise, or Mortise Panic Locks

### Sill Information:



### Ship To Address:

\_\_\_\_\_  
 \_\_\_\_\_  
 \_\_\_\_\_  
 \_\_\_\_\_